

SALWO

TRADITION
MODERN



BICYCLE RACKS

LEADING MANUFACTURER FROM POLAND



www.bike-systems.com

WHO ARE WE?

We are the leading **manufacturer** of bicycle stands. Our production zone features numerically controlled CNC machines for multidimensional pipe bending.

With our machinery, we are manufacturing bicycle stands of every shape, virtually without welding.



**QUALITY
GUARANTEE**

WHY CHOOSE SAWO?



HIGH END MACHINE TOOL STOCK

Our machine tool stock, developed and expanded for years, ensures high production potential.



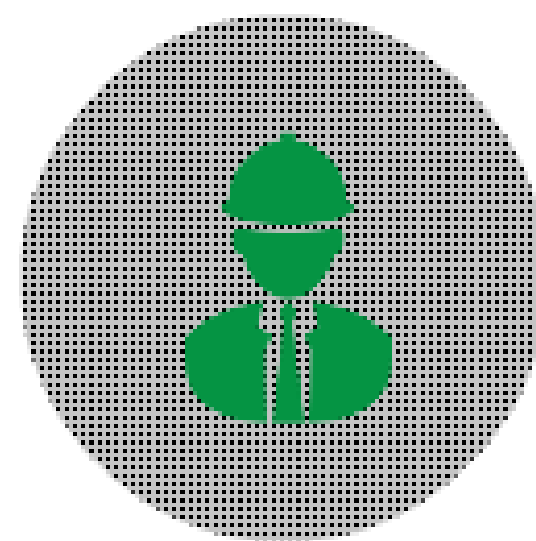
CUSTOM PROJECTS

Each stand is available in any colour from the RAL chart. We are able to deliver any form required by our clients.



EXPERIENCE

Using our more than 30-year experience in the business, we have developed cutting edge bicycle stands.



COOPERATION WITH DESIGNERS

Allow yourself to be surprised by the design provided by our team of ambitious designers who are shaping the trends of urban architecture.



1

Mounting options

- ▶ mounting plate
- ▶ inground mounting system

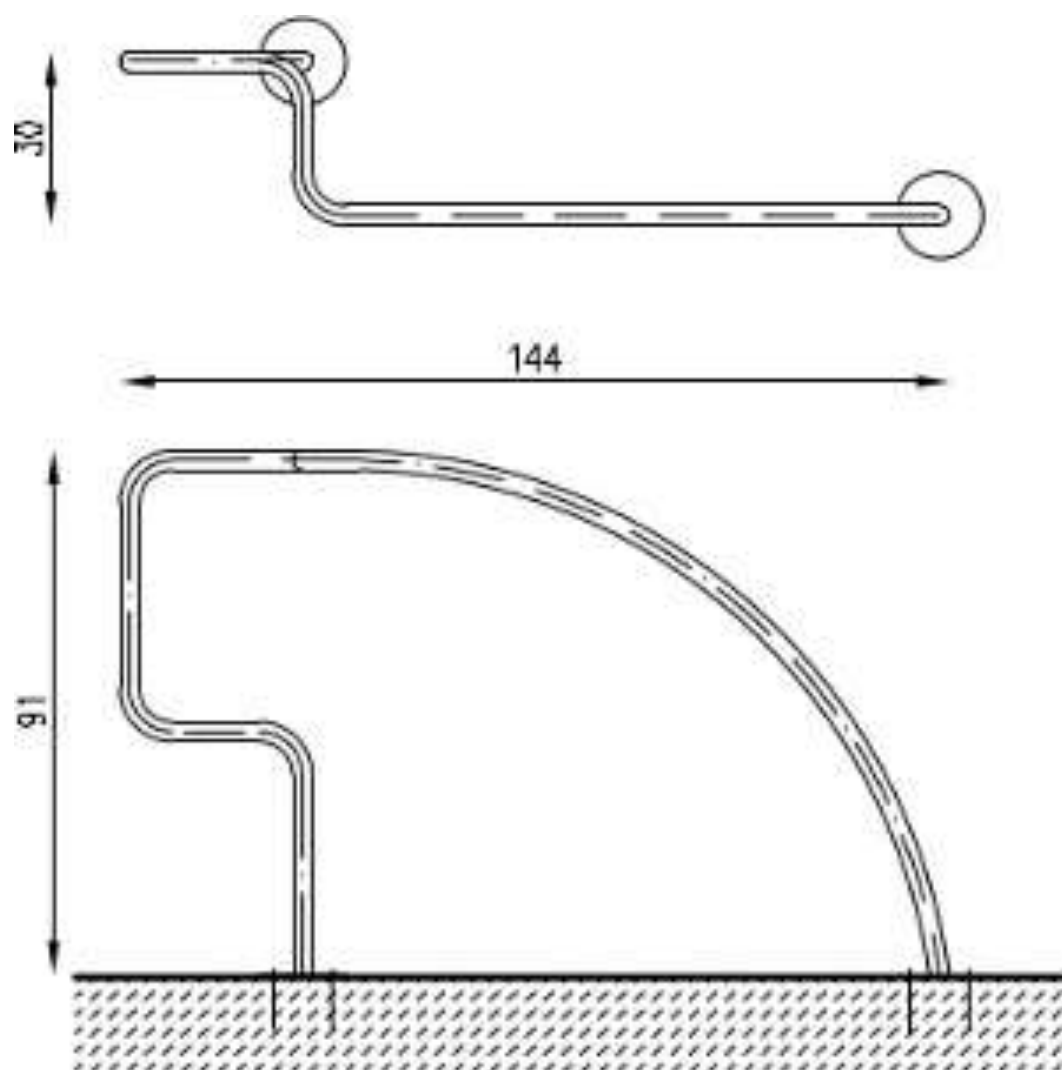
2

Bent steel pipe, diameter

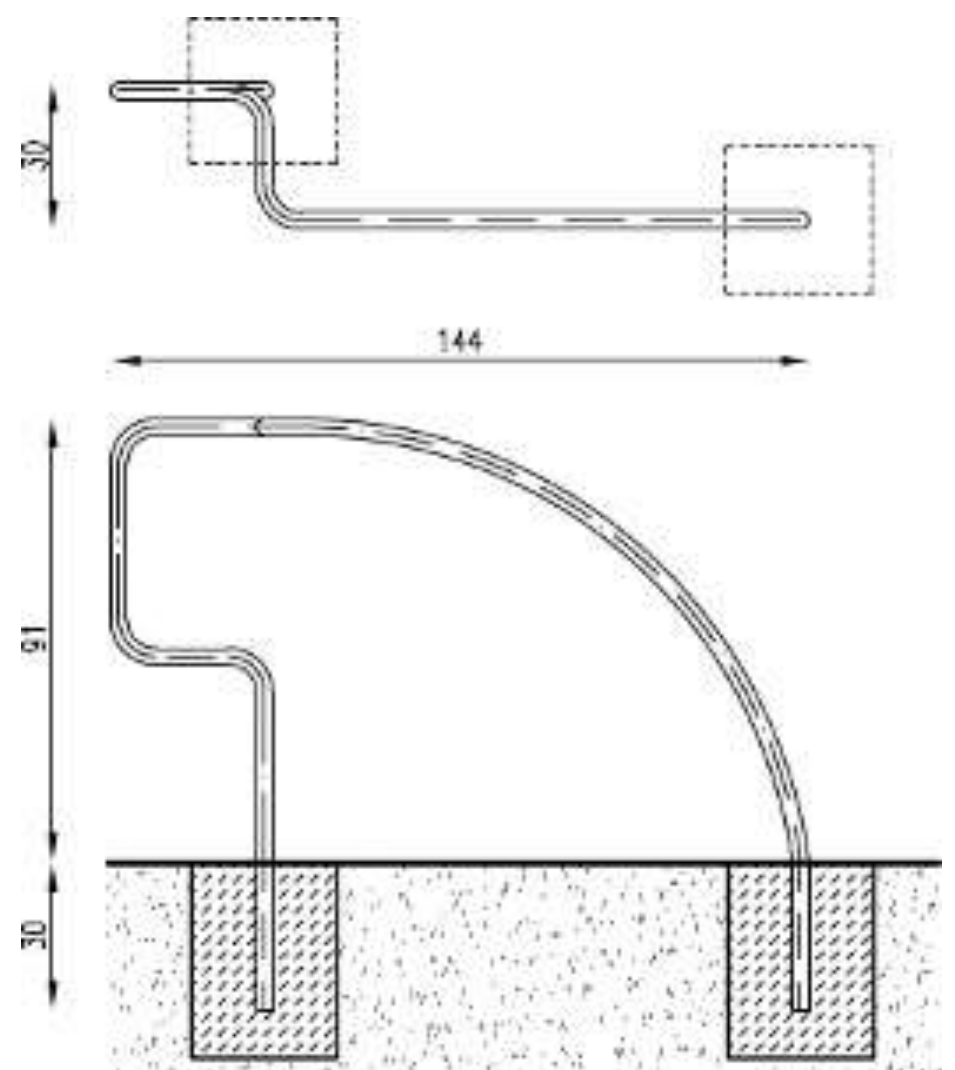
- 33 mm
- 42 mm
- 48 mm

3

The stand may be galvanized or powder coated in each color



Version with montage foot for anchor with bolts to existing foundation



Version with posts longer to be concreted into the ground



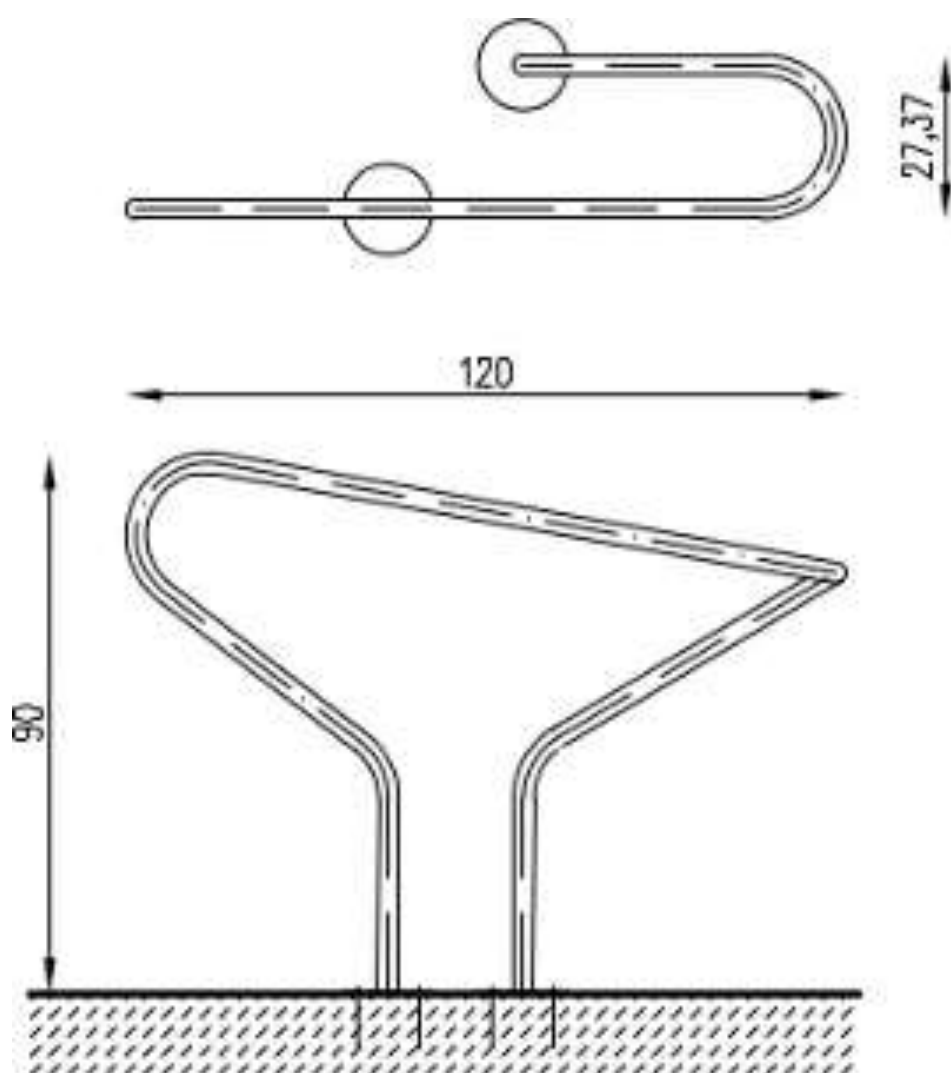
1
Mounting options

- ▶ mounting plate
- ▶ inground mounting system

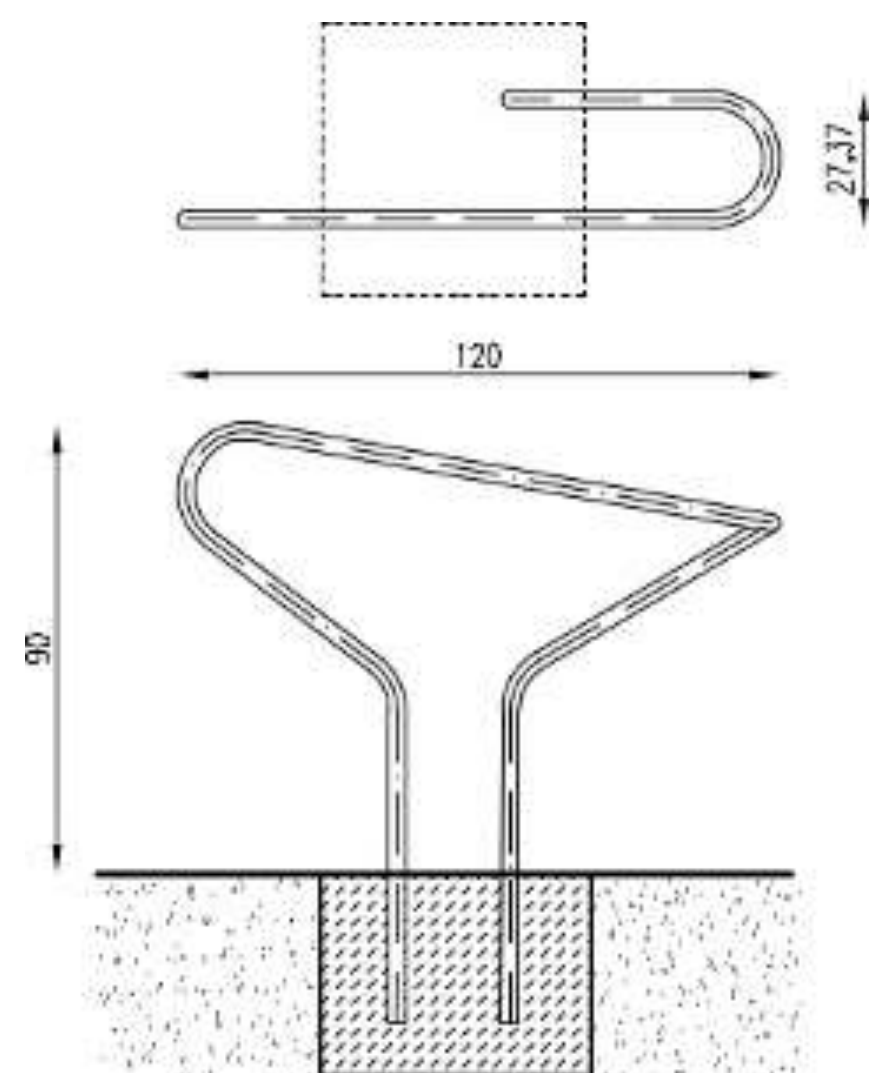
2
Bent steel pipe,
diameter

- 33 mm
- 42 mm
- 48 mm

3
The stand may be galvanized
or powder coated in each color



Version with montage foot for anchor with bolts to existing foundation



Version with posts longer to be concreted into the ground



1

Mounting options

- ▶ mounting plate

- ▶ inground mounting system

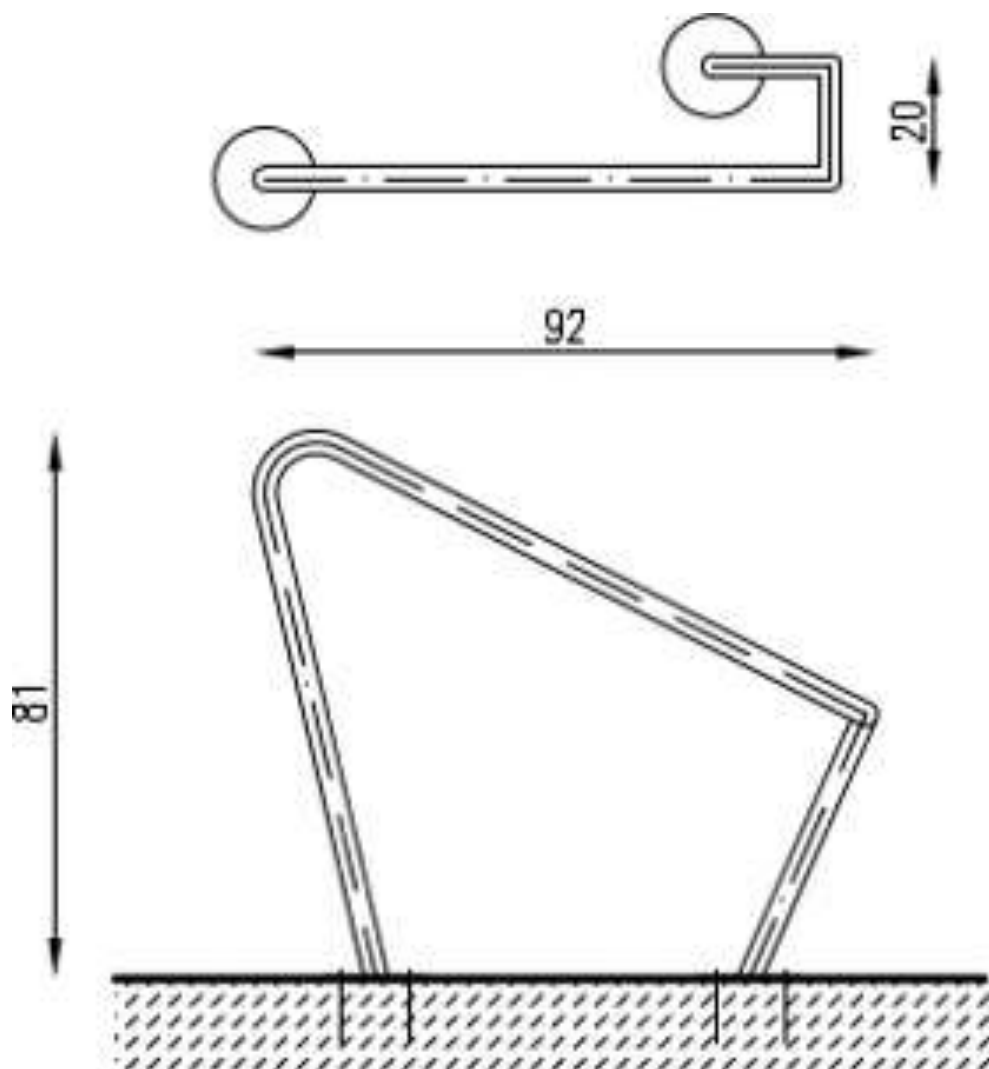
2

Bent steel pipe, diameter

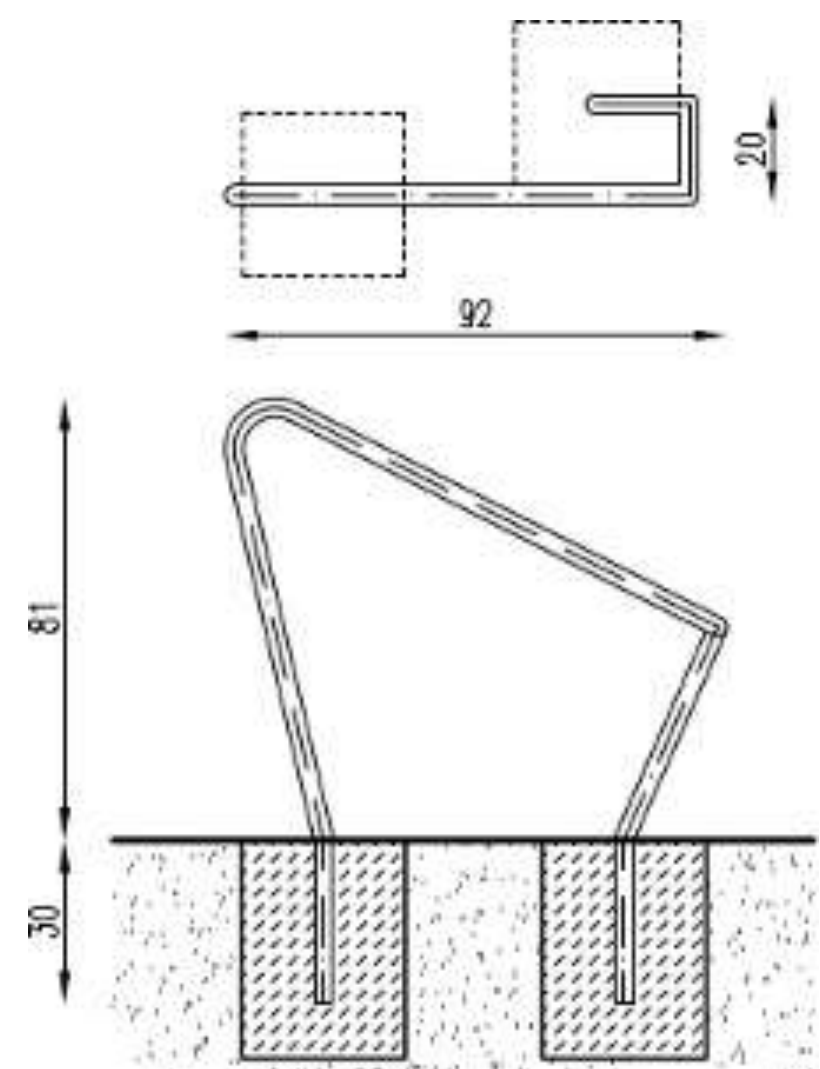
- 33
mm
- 42
mm
- 48
mm

3

The stand may be galvanized or powder coated in each color



Version with montage foot for anchor with bolts to existing foundation



Version with posts longer to be concreted into the ground



1

Mounting options

- ▶ mounting plate
- ▶ inground mounting system

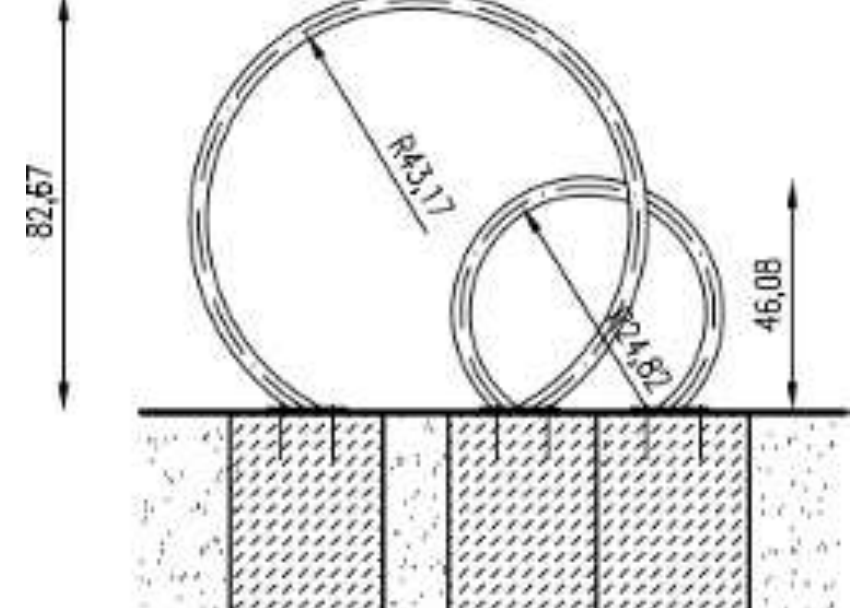
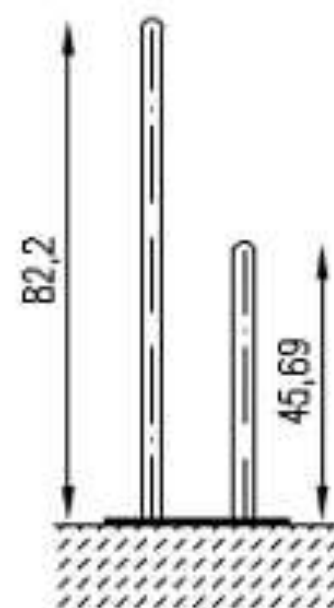
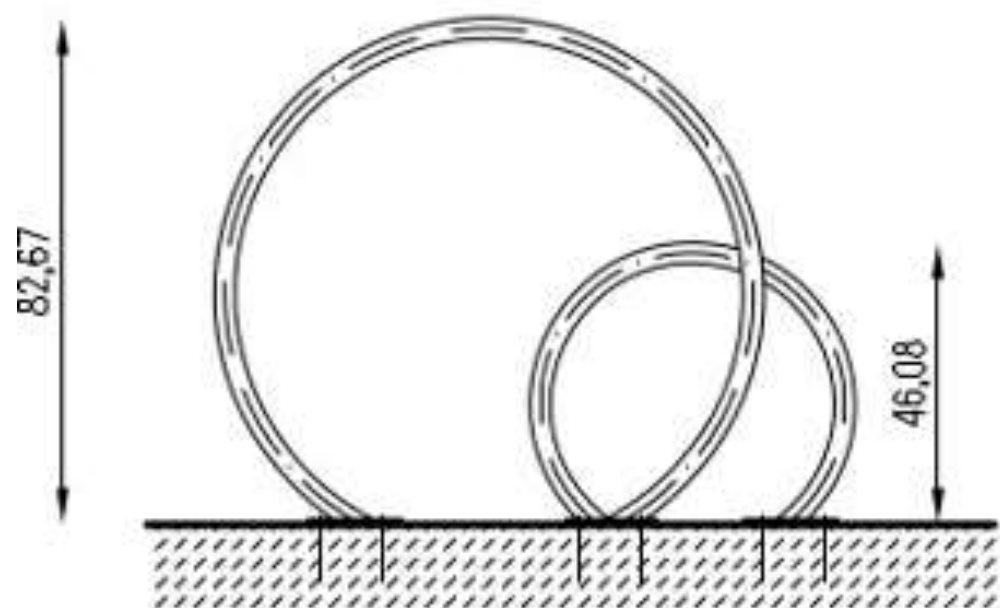
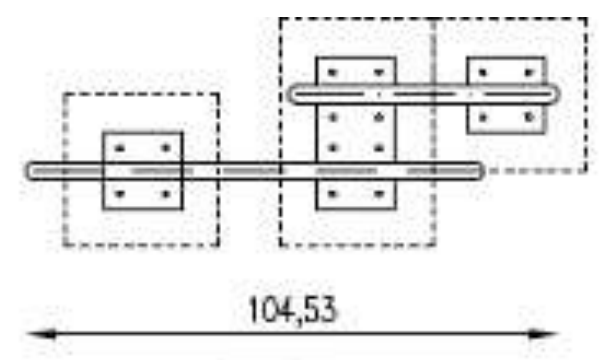
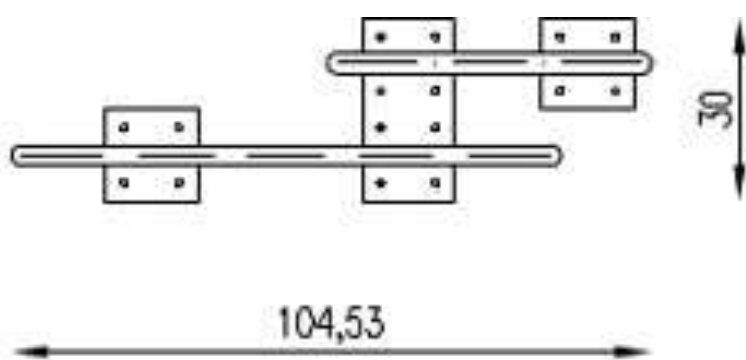
2

Bent steel pipe, diameter

- 33 mm
- 42 mm
- 48 mm

3

The stand may be galvanized or powder coated in each color



Version with montage foot for anchor with bolts to existing foundation

Version with posts longer to be concreted into the ground





1

Mounting options

- ▶ mounting plate

- ▶ inground mounting system

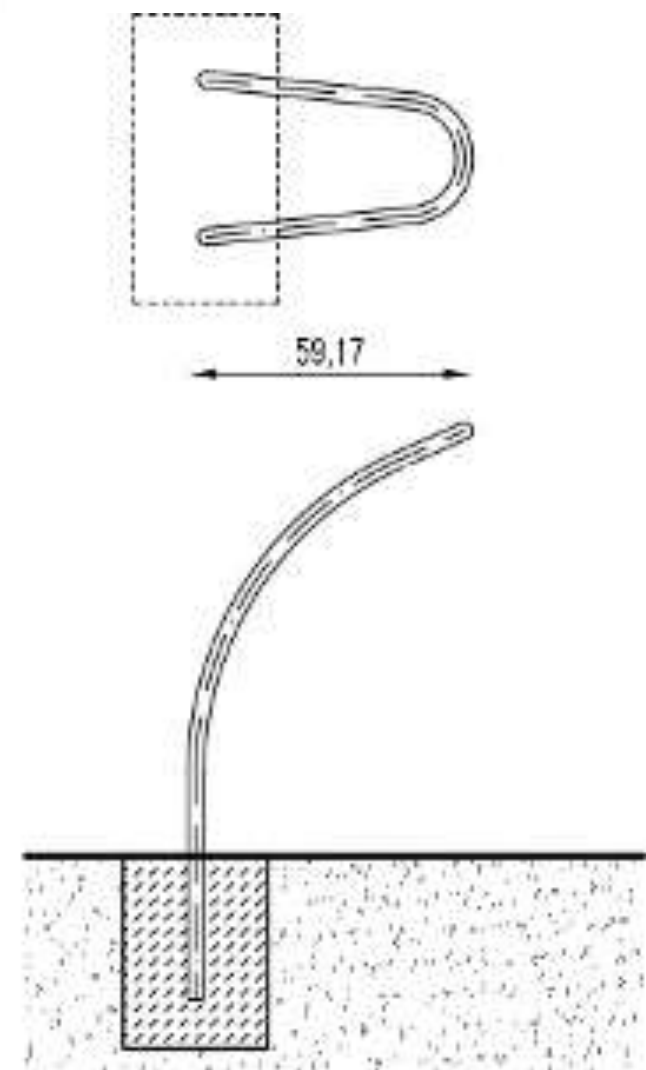
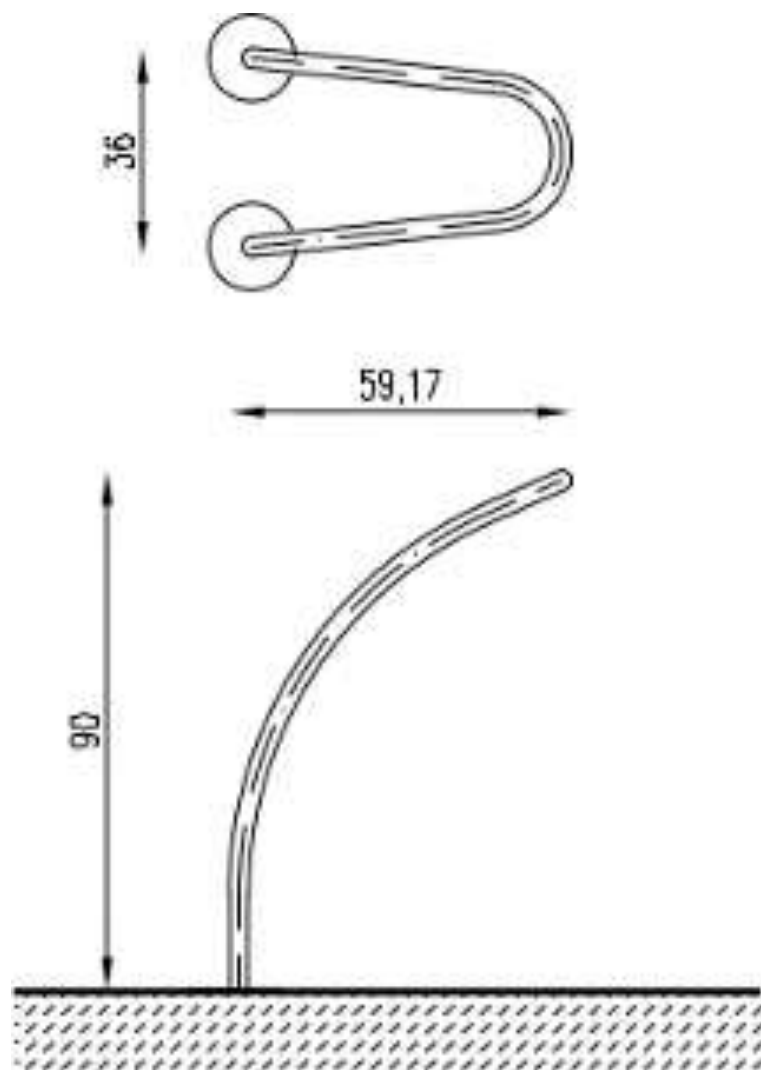
2

Bent steel pipe, diameter

- 33
mm
- 42
mm
- 48
mm

3

The stand may be galvanized or powder coated in each color



Version with montage foot for anchor with bolts to existing foundation

Version with posts longer to be concreted into the ground



1

Mounting options

- ▶ mounting plate

- ▶ inground mounting system

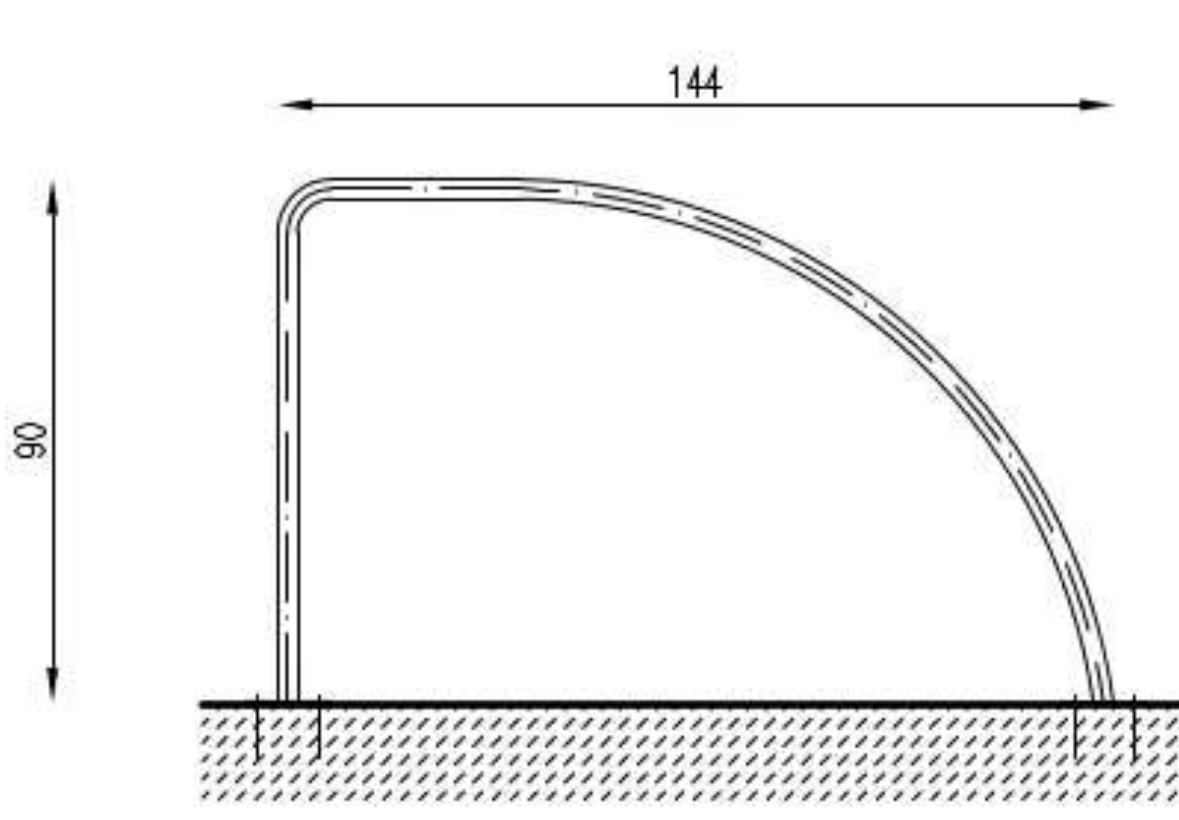
2

Bent steel pipe, diameter

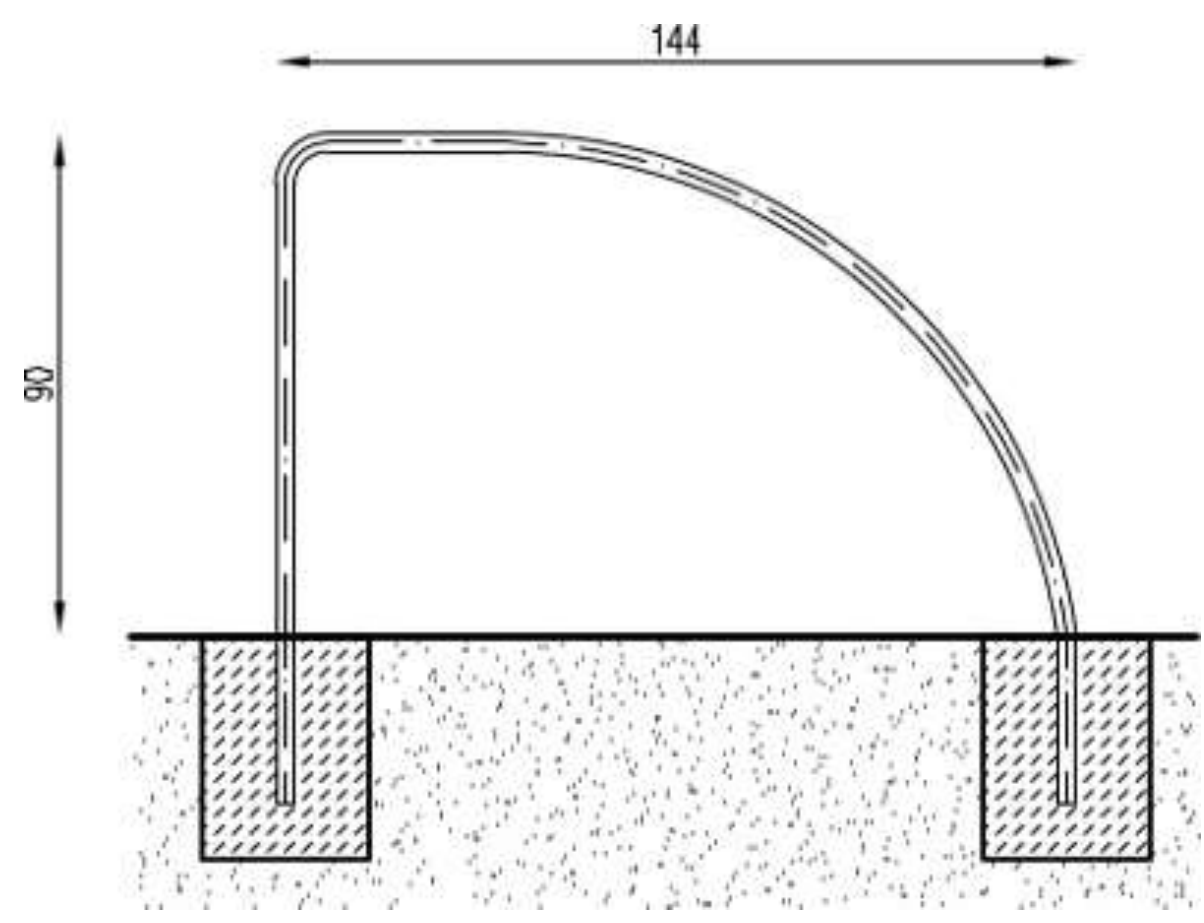
- 33
mm
- 42
mm
- 48
mm

3

The stand may be galvanized or powder coated in each color



Version with montage foot for anchor with bolts to existing foundation



Version with posts longer to be concreted into the ground





1

Mounting options

- ▶ mounting plate
- ▶ inground mounting system

2

Bent steel pipe, diameter

33

mm

42

mm

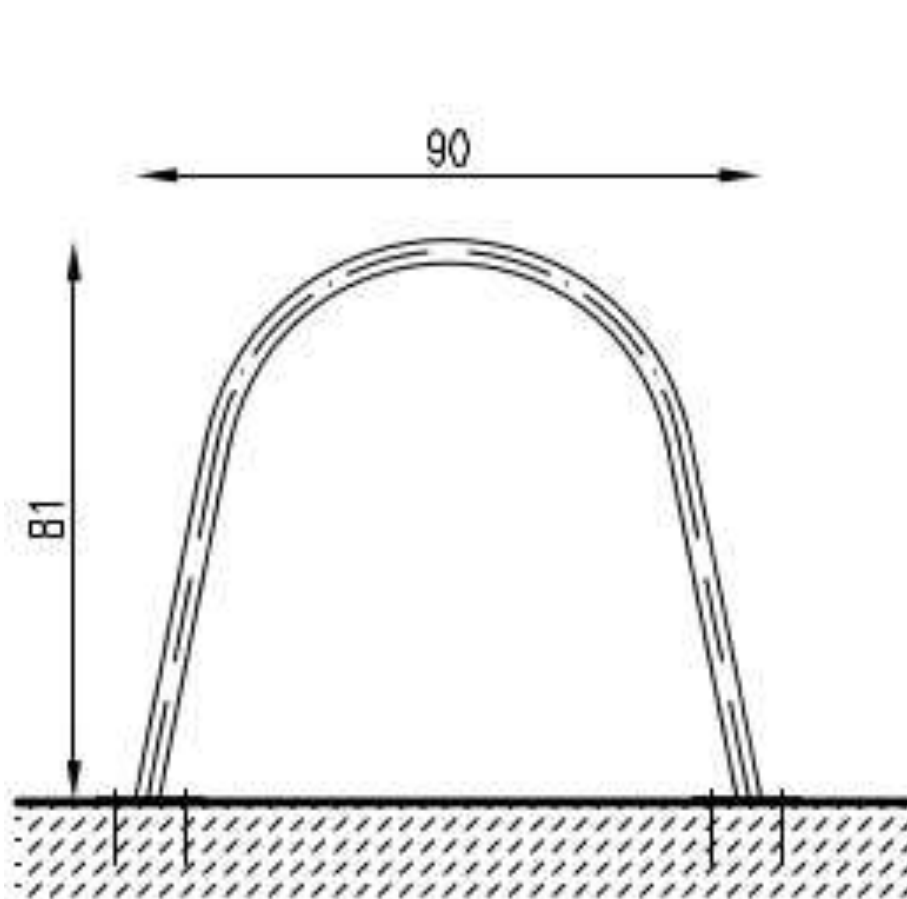
48

mm

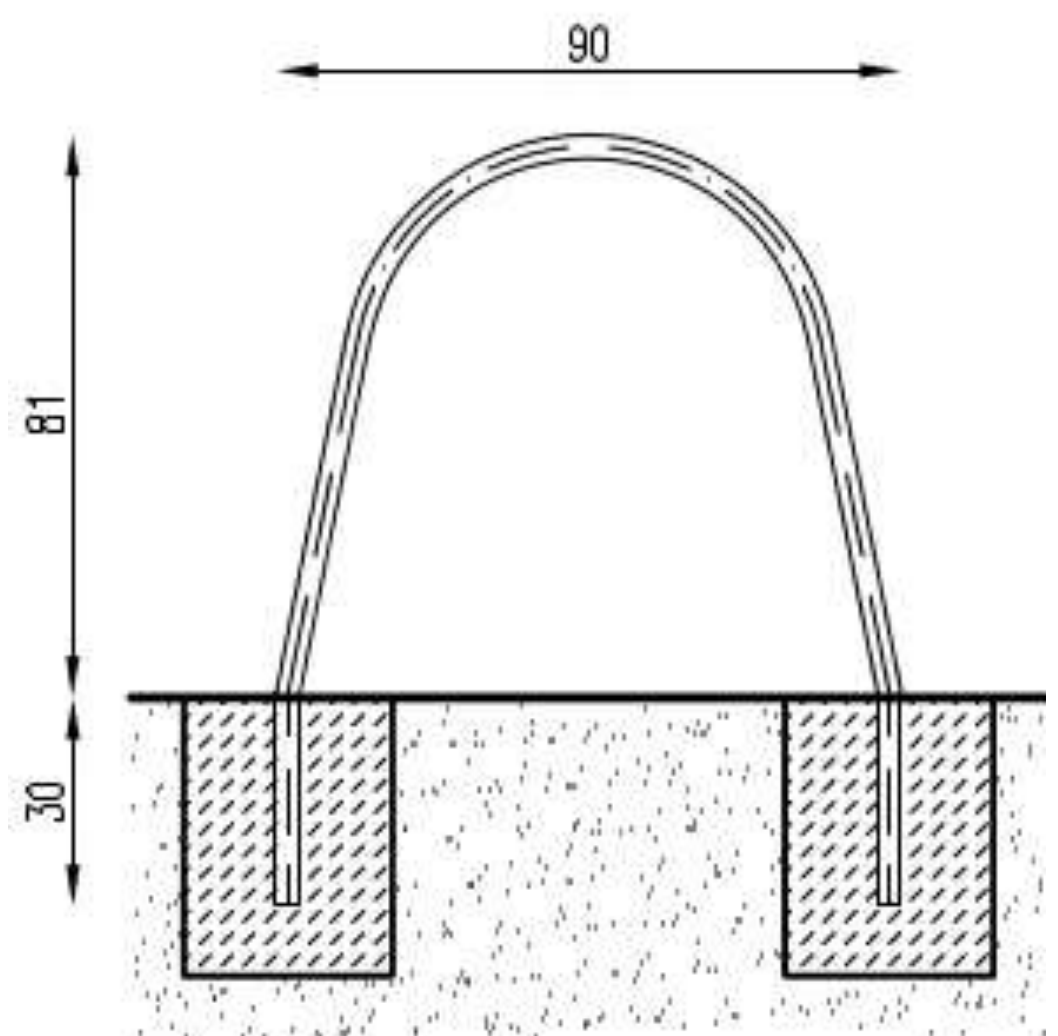
3

The stand may be galvanized or powder coated in each color

RAL



Version with montage foot for anchor with bolts to existing foundation



Version with posts longer to be concreted into the ground



1

Mounting options

- ▶ mounting plate
- ▶ inground mounting system

2

Bent steel pipe, diameter

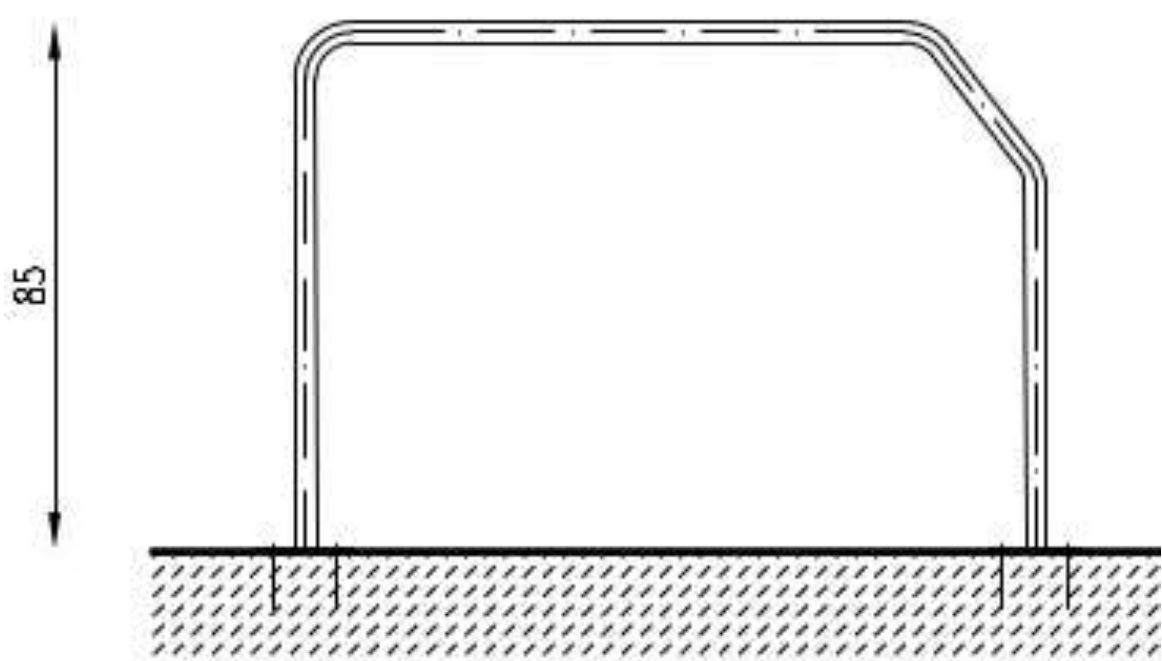
- 33 mm
- 42 mm
- 48 mm

3

The stand may be galvanized or powder coated in each color

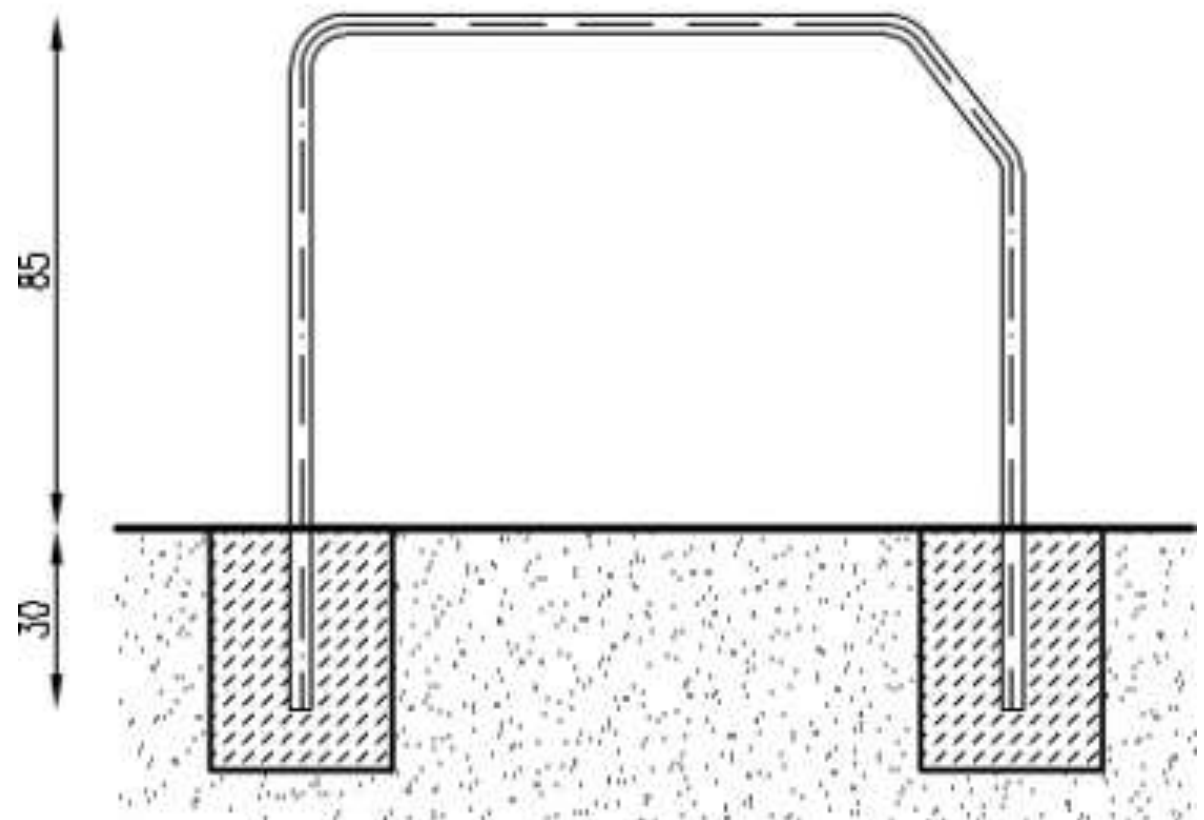


121



Version with montage foot for anchor with bolts to existing foundation

121



Version with posts longer to be concreted into the ground



1
Mounting options

- ▶ mounting plate

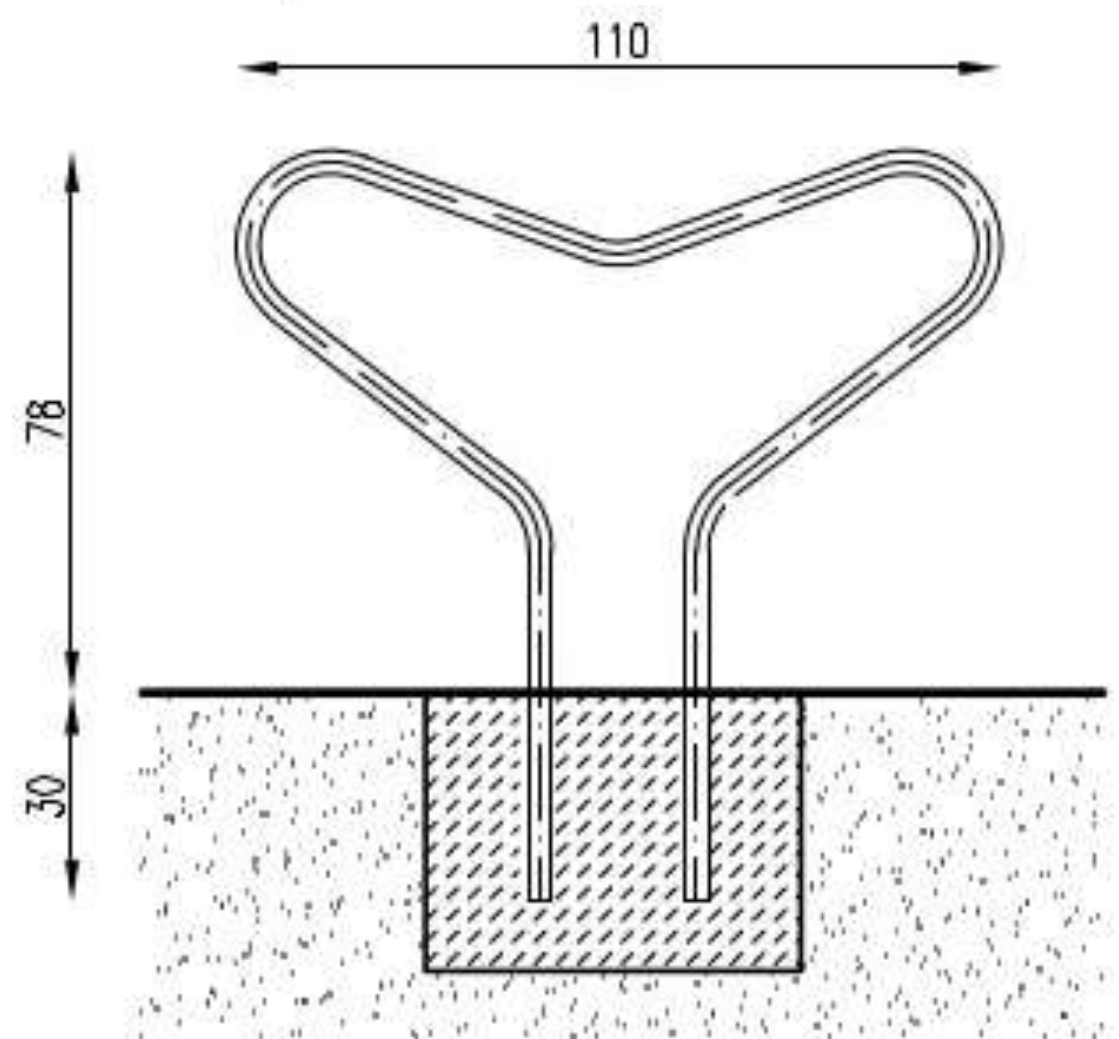
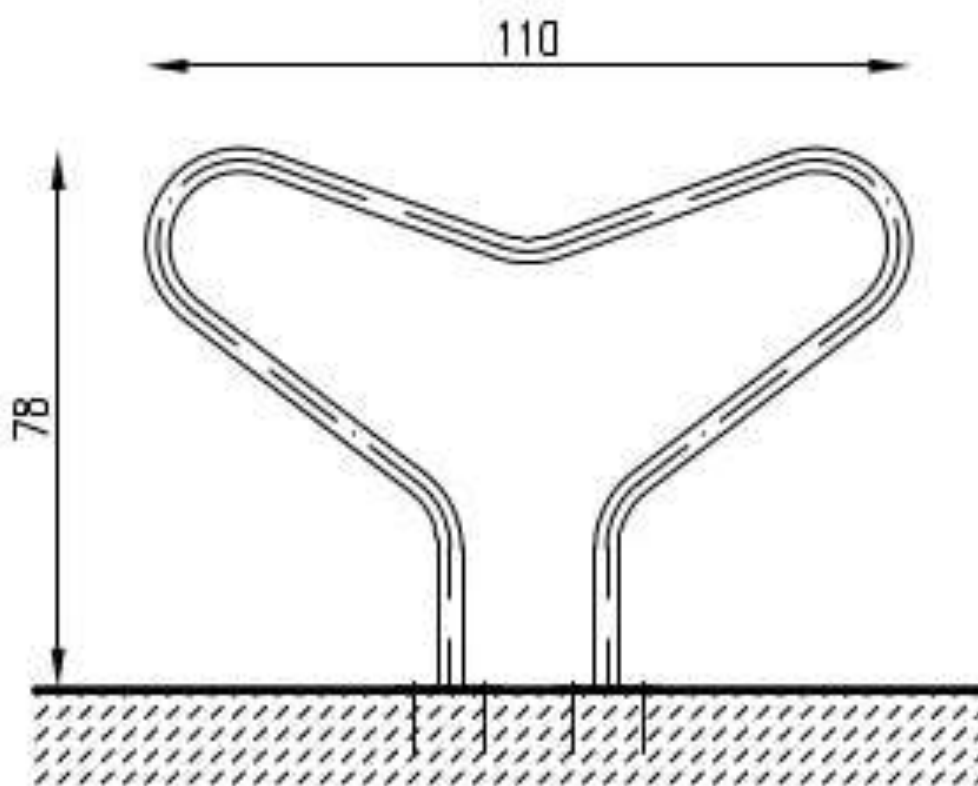
- ▶ inground mounting system

2
Bent steel pipe,
diameter

- 33
mm
- 42
mm
- 48
mm

3
The stand may be galvanized
or powder coated in each color

RAL



Version with montage foot for anchor with bolts to existing foundation

Version with posts longer to be concreted into the ground



1
Mounting options

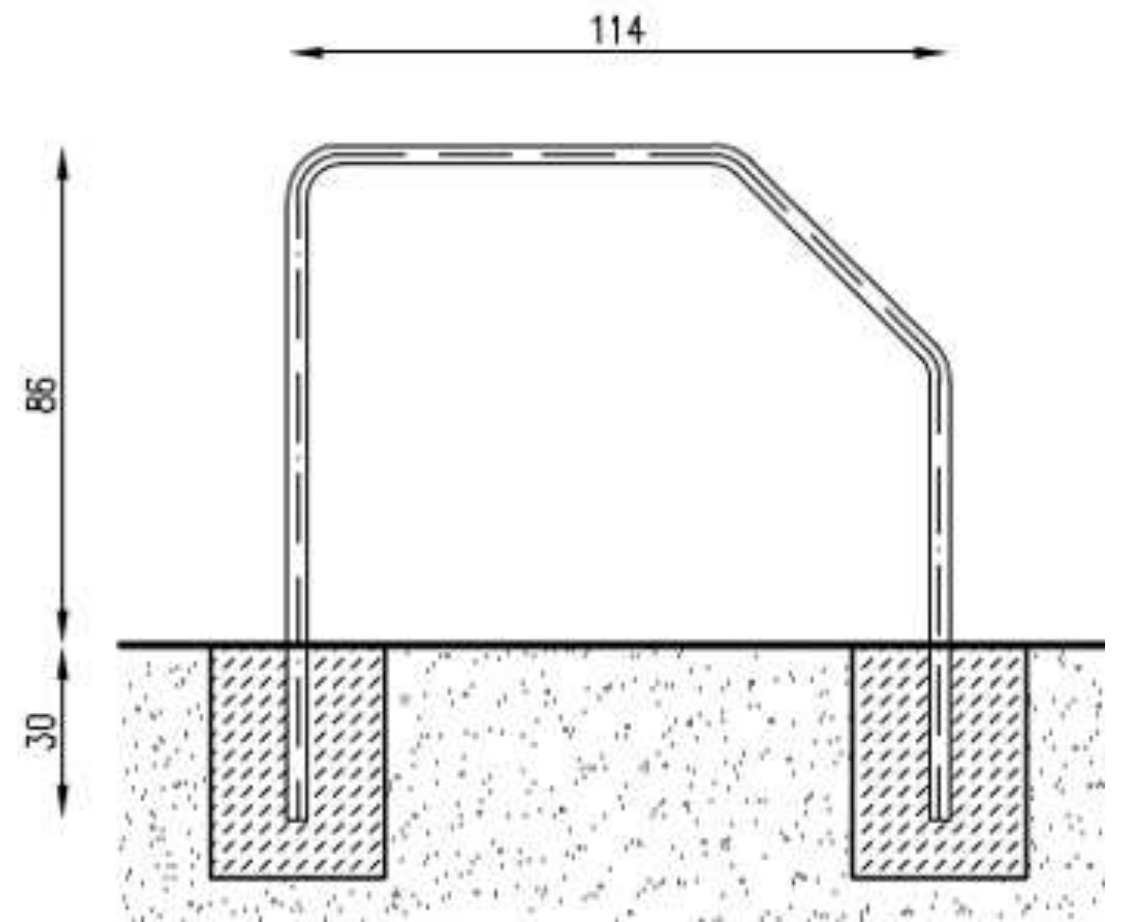
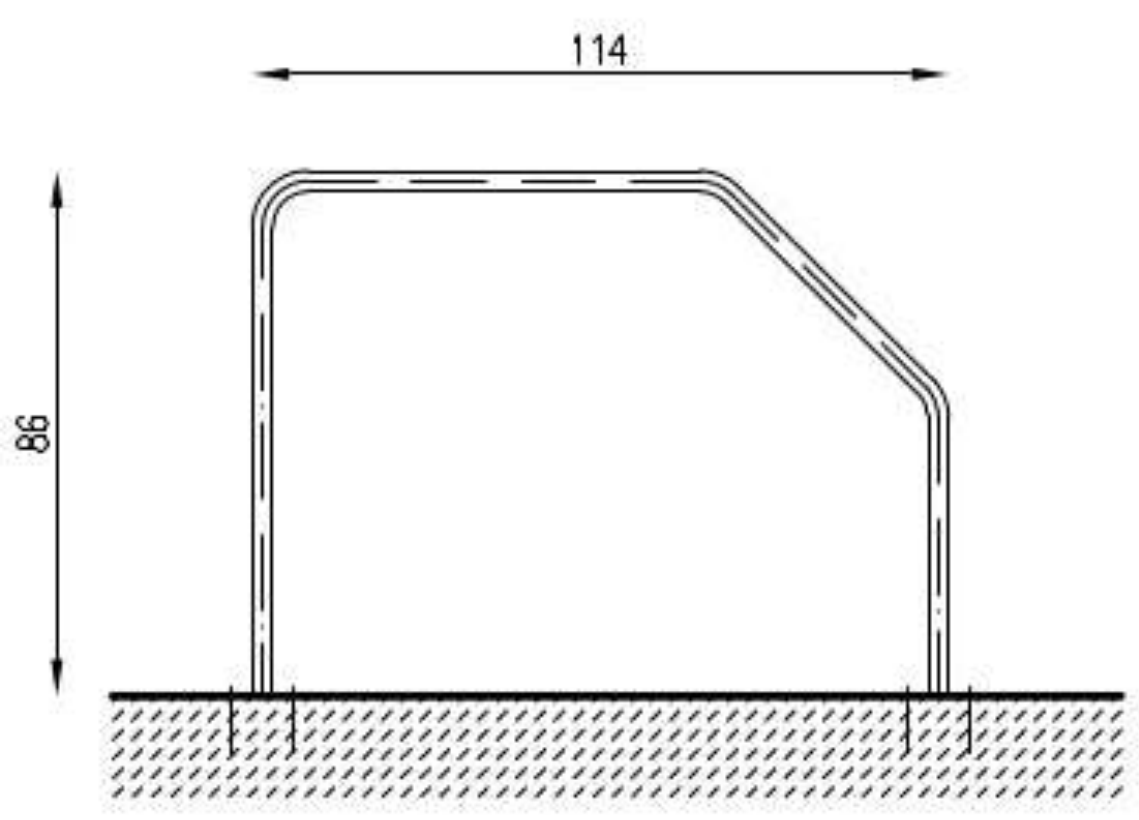
- ▶ mounting plate

- ▶ inground mounting system

2
Bent steel pipe,
diameter

- 33
mm
- 42
mm
- 48
mm

3
The stand may be galvanized
or powder coated in each color



Version with montage foot for anchor with bolts to existing foundation

Version with posts longer to be concreted into the ground



1

Mounting options

- ▶ mounting plate
- ▶ inground mounting system

2

Bent steel pipe, diameter

33

mm

42

mm

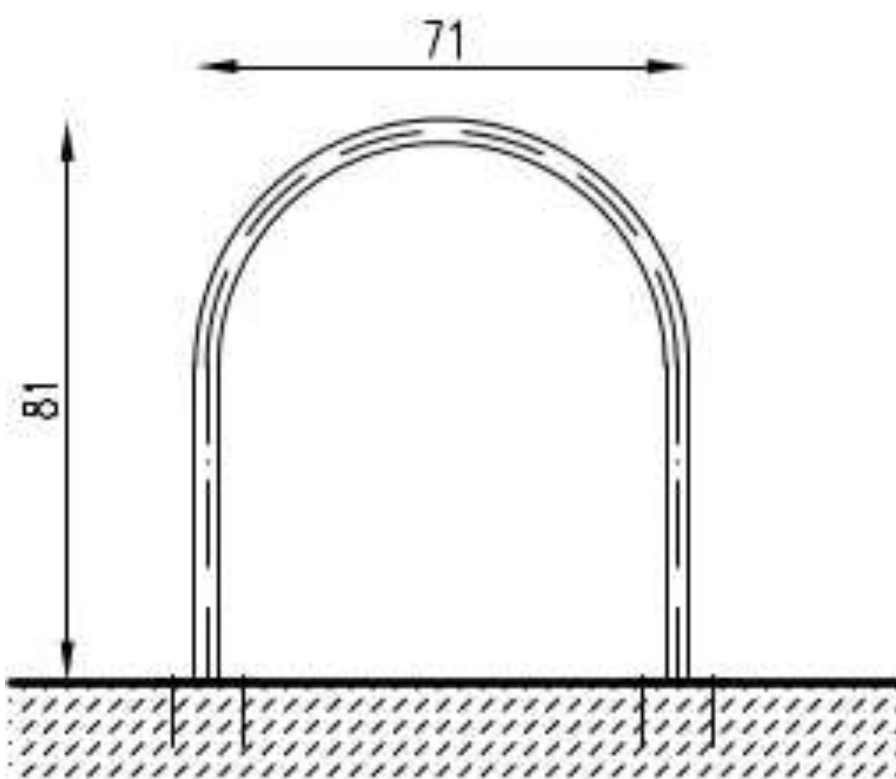
48

mm

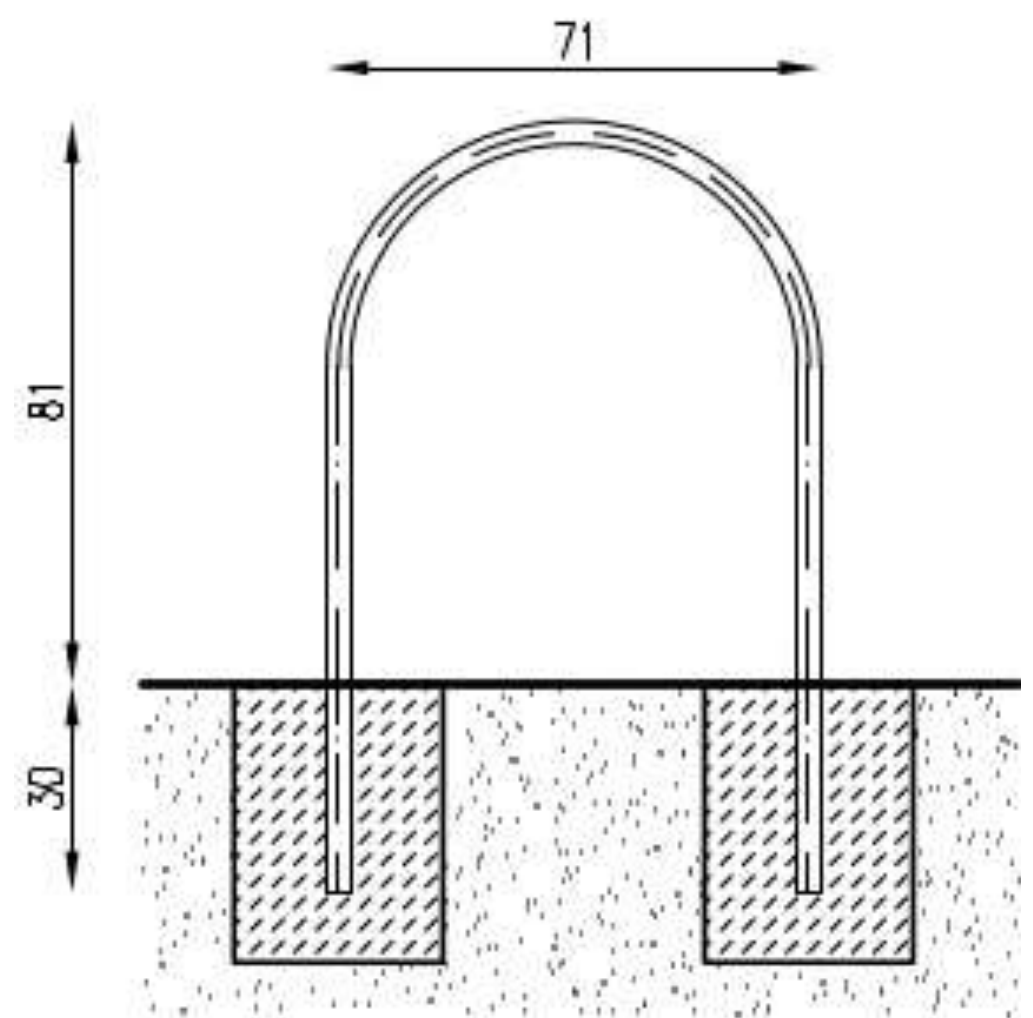
3

The stand may be galvanized or powder coated in each color

RAL



Version with montage foot for anchor with bolts to existing foundation



Version with posts longer to be concreted into the ground



1
Mounting options

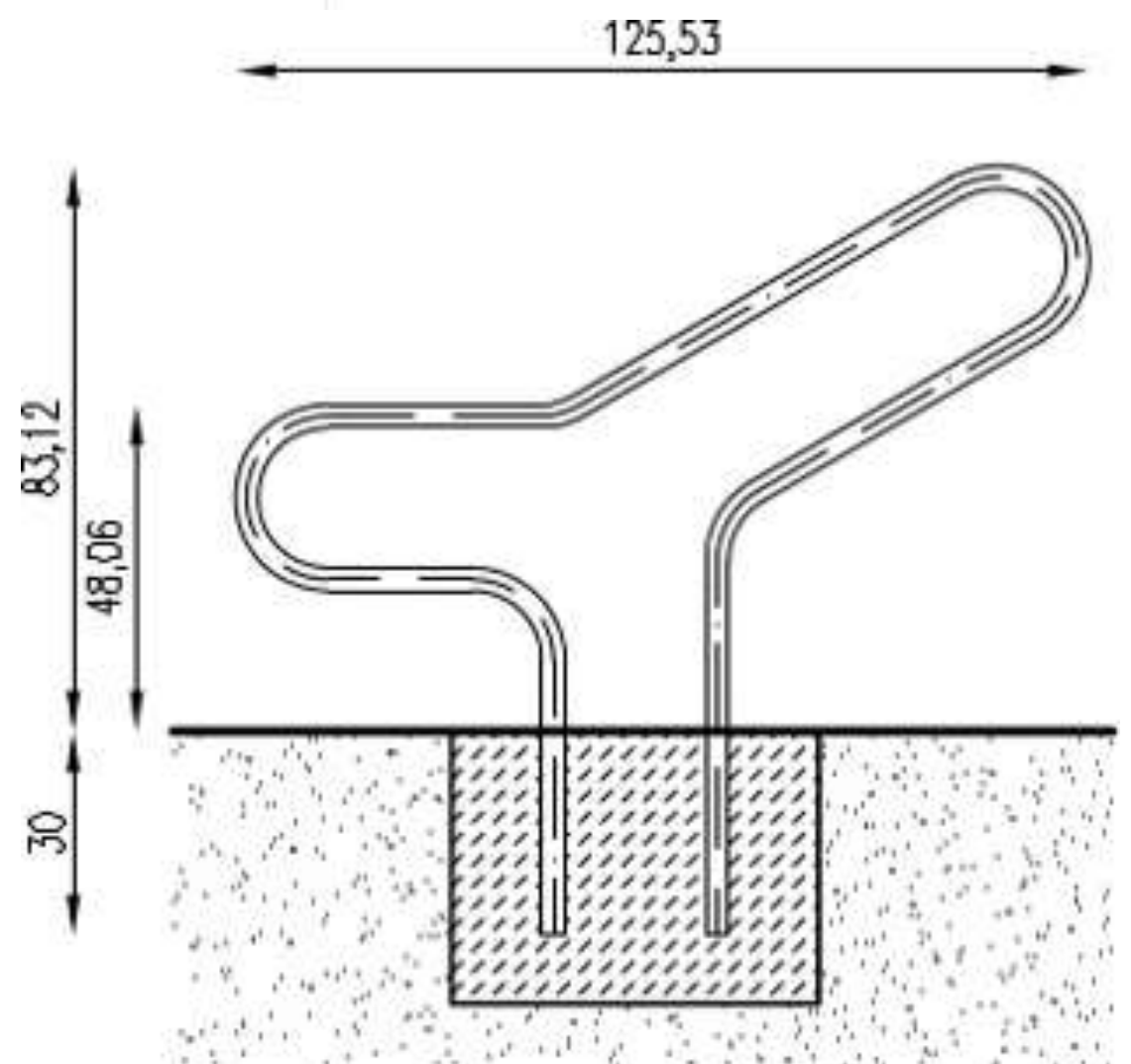
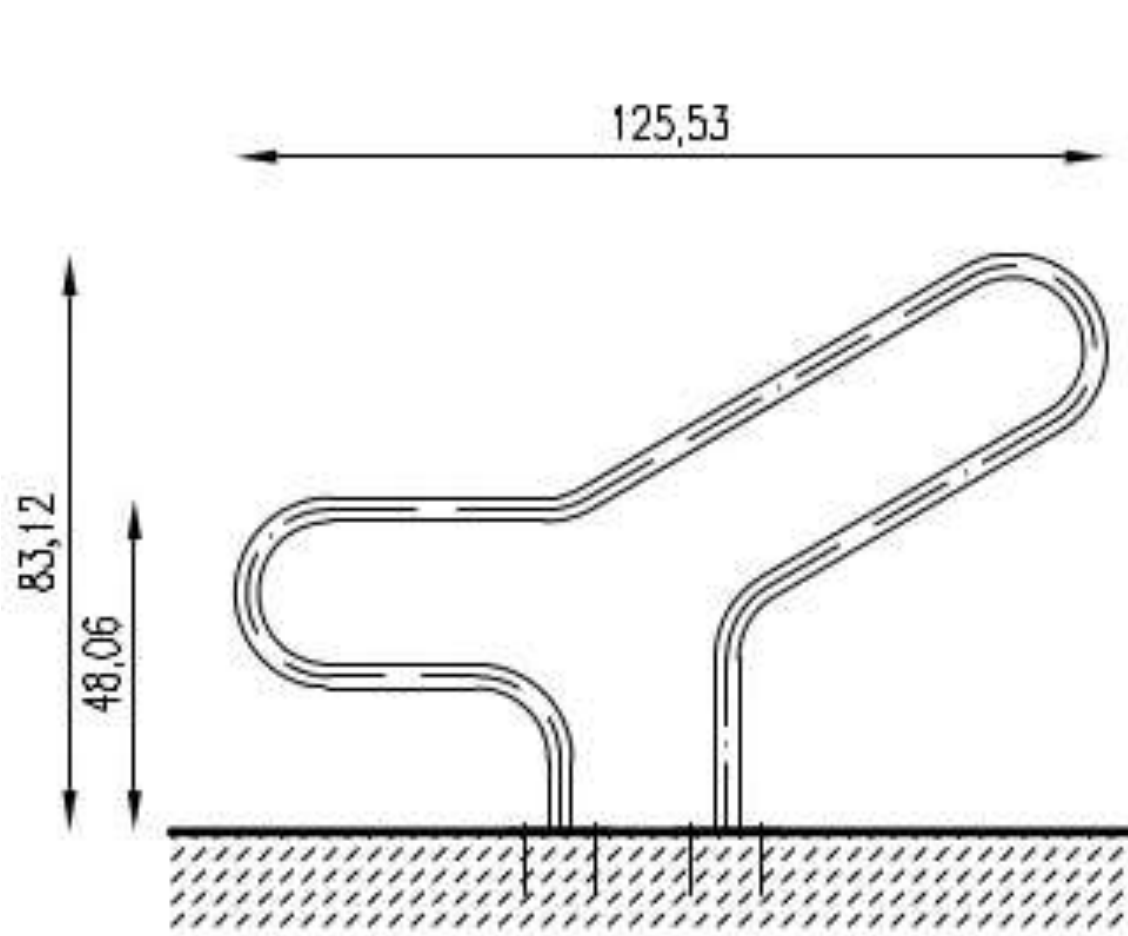
- ▶ mounting plate
- ▶ inground mounting system

2
Bent steel pipe,
diameter

- 33
mm
- 42
mm
- 48
mm

3
The stand may be galvanized
or powder coated in each color

RAL



Version with montage foot for anchor with bolts to existing foundation

Version with posts longer to be concreted into the ground



1

Mounting options

- ▶ mounting plate
- ▶ inground mounting system

2

Bent steel pipe, diameter

33

mm

42

mm

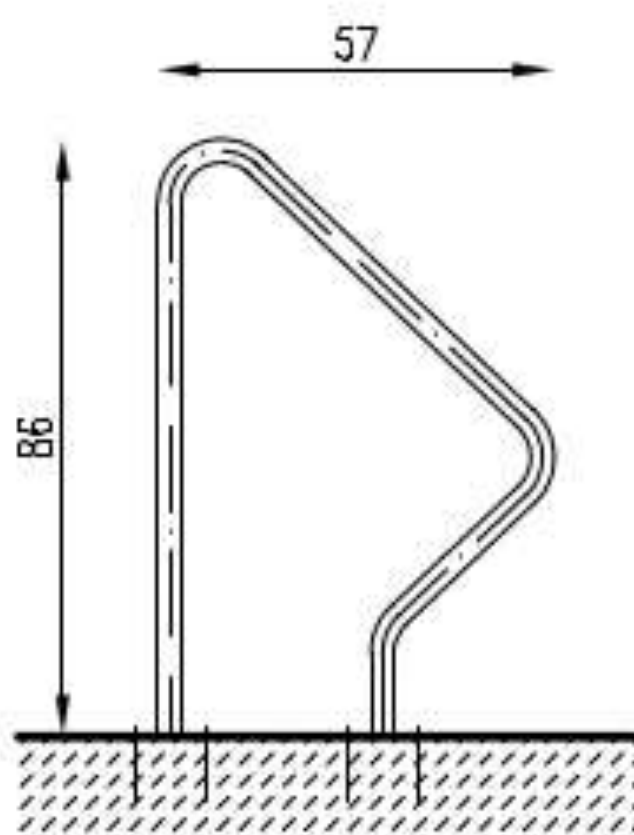
48

mm

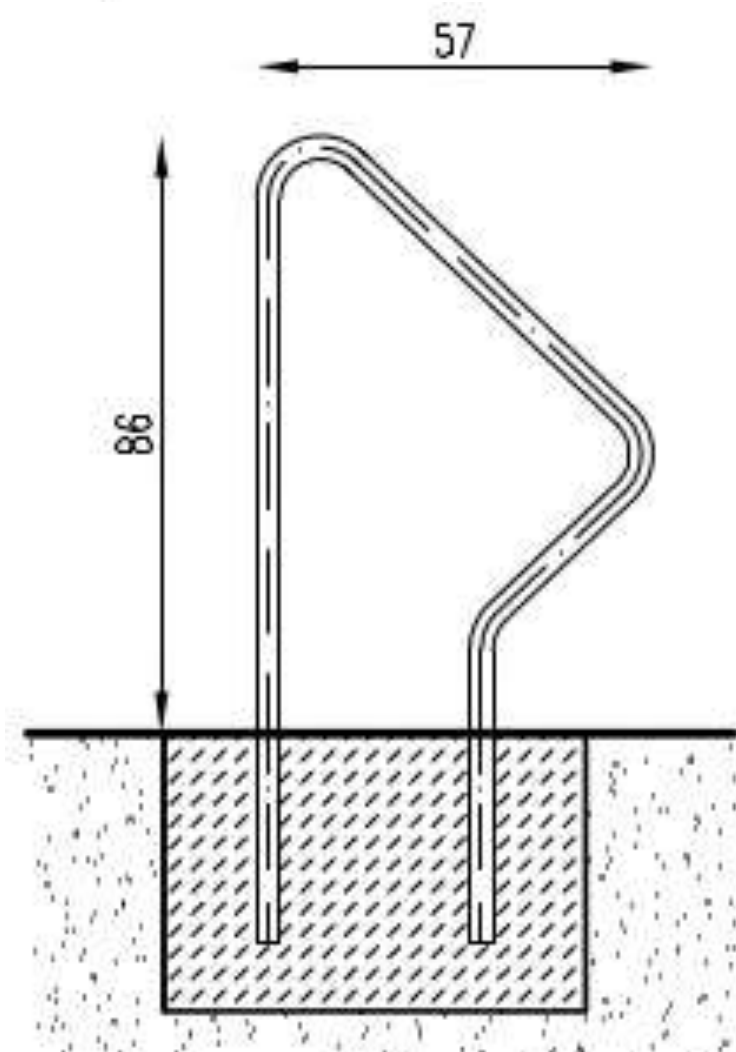
3

The stand may be galvanized or powder coated in each color

RAL



Version with montage foot for anchor with bolts to existing foundation



Version with posts longer to be concreted into the ground



1

Mounting options

- ▶ mounting plate
- ▶ inground mounting system

2

Bent steel pipe, diameter

33

mm

42

mm

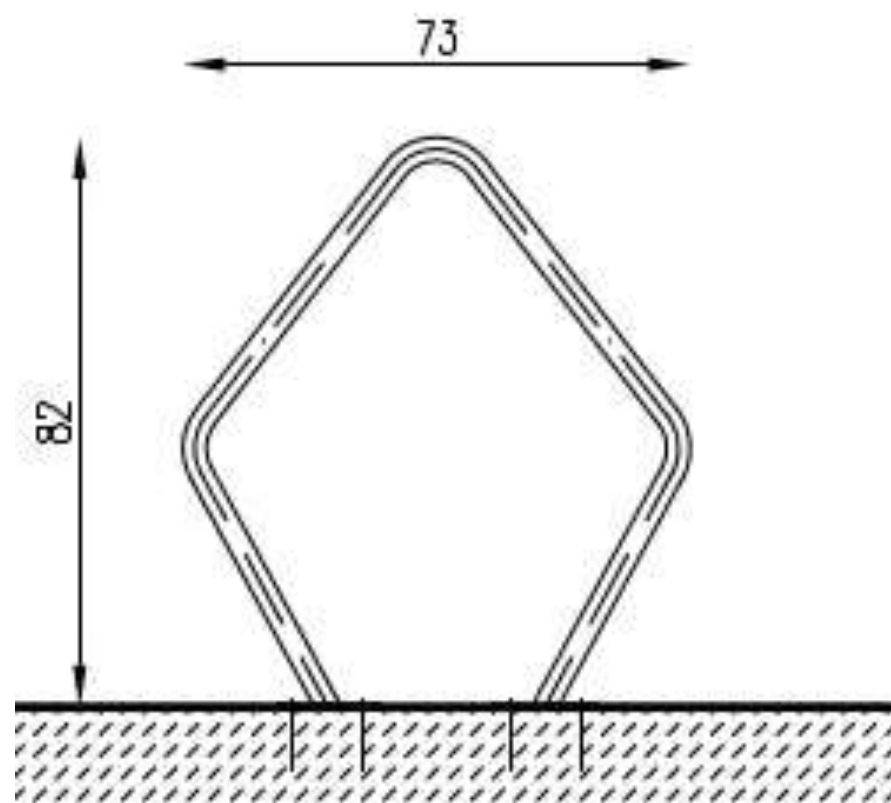
48

mm

3

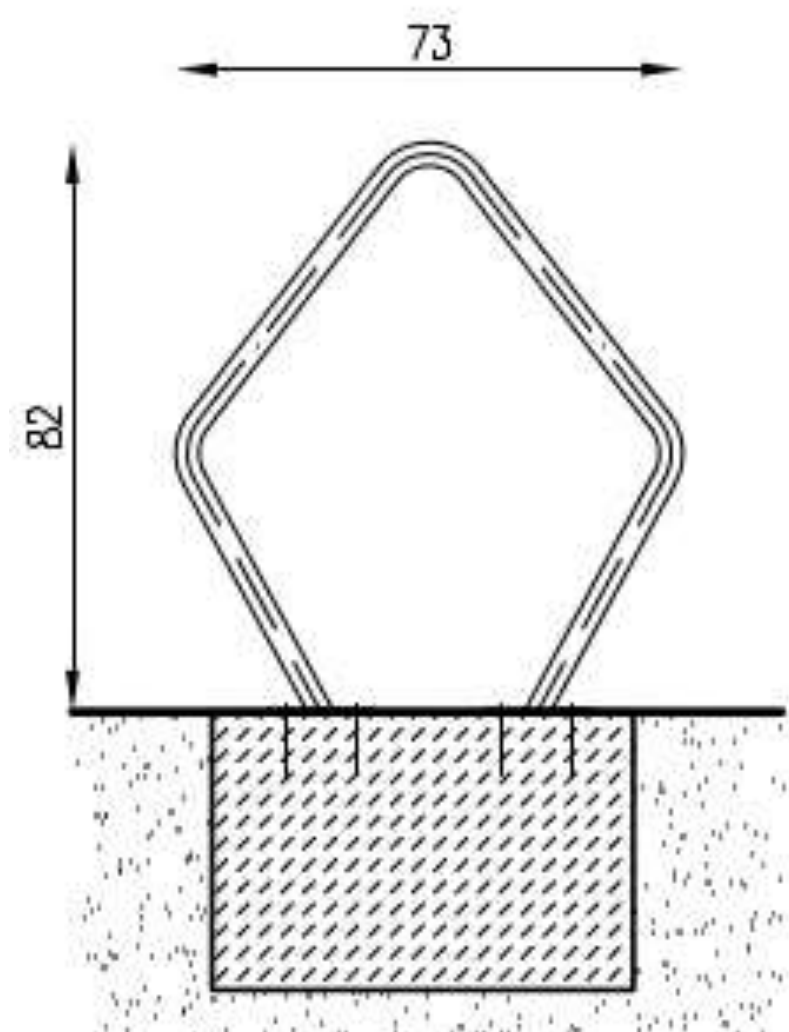
The stand may be galvanized or powder coated in each color

RAL



Version with montage foot for anchor with bolts to existing foundation

Version with posts longer to be concreted into the ground





1

Mounting options

- ▶ mounting plate

- ▶ inground mounting system

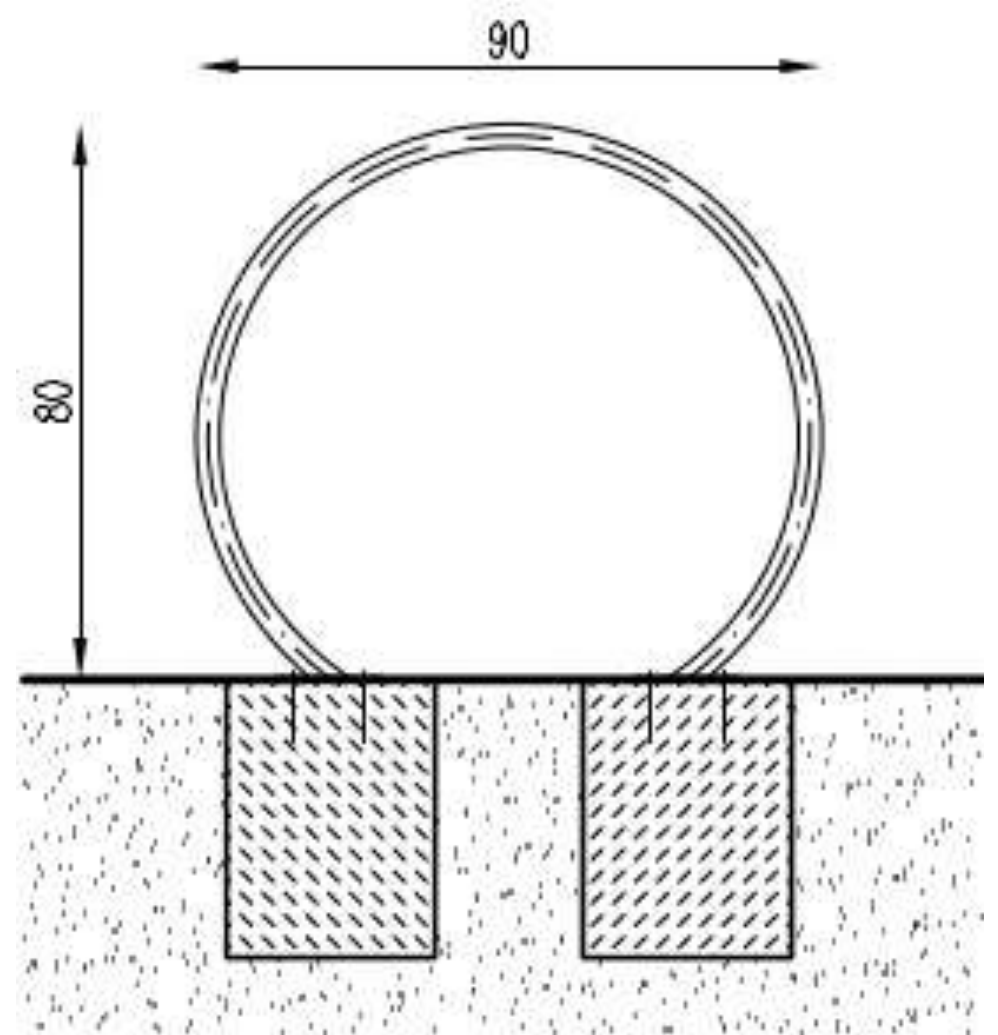
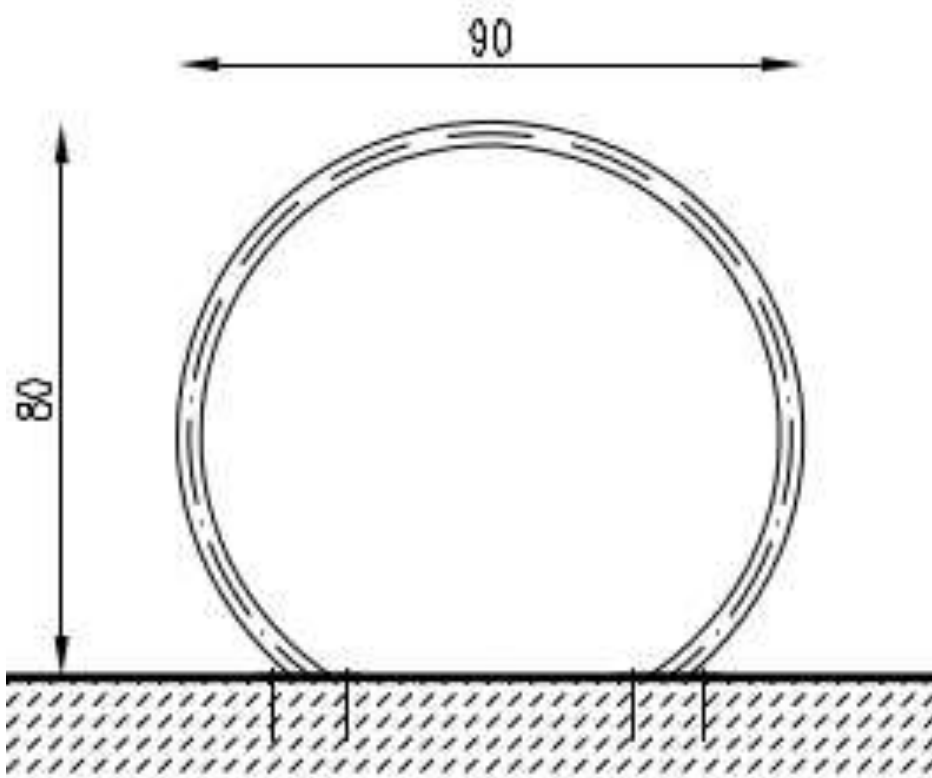
2

Bent steel pipe, diameter

- 33
mm
- 42
mm
- 48
mm

3

The stand may be galvanized or powder coated in each color



Version with montage foot for anchor with bolts to existing foundation

Version with posts longer to be concreted into the ground



1

Mounting options

- ▶ mounting plate
- ▶ inground mounting system

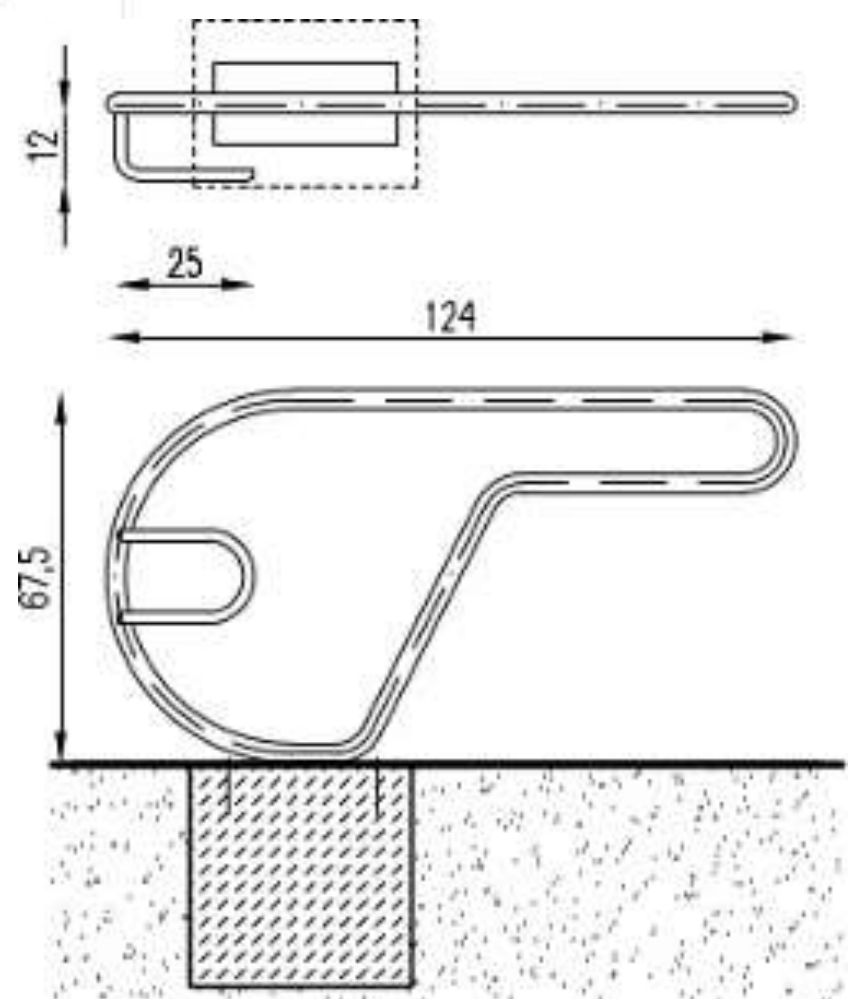
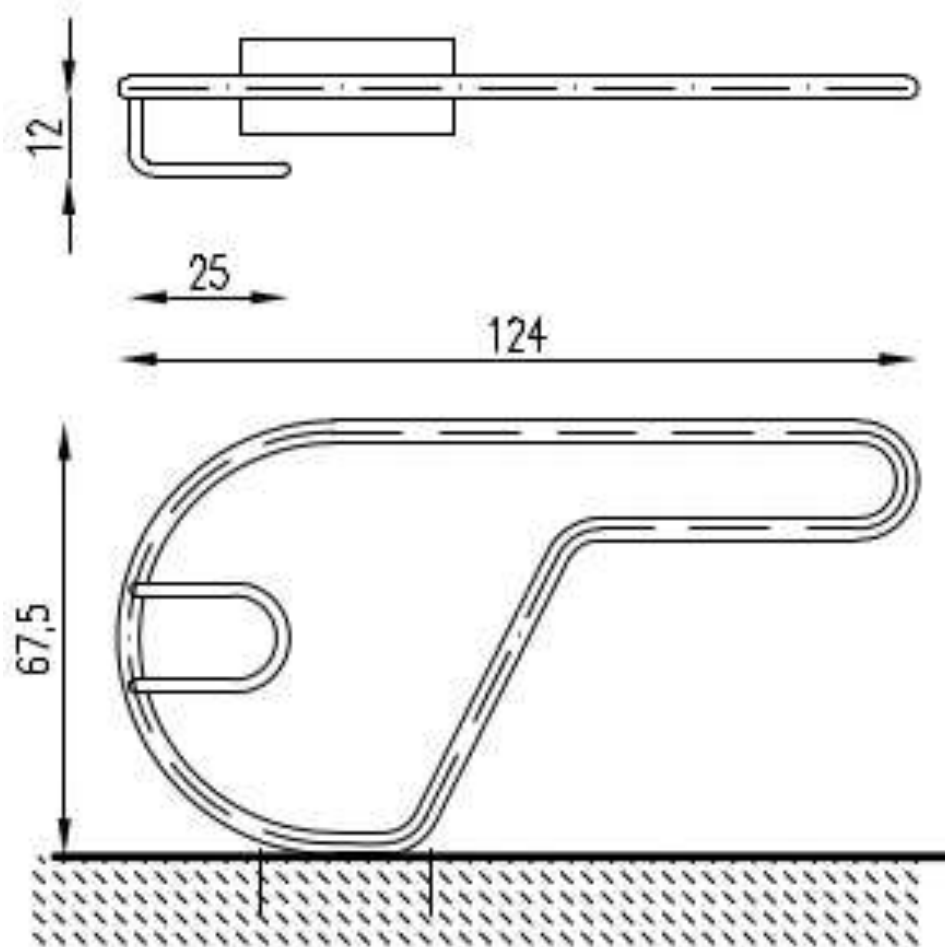
2

Bent steel pipe, diameter

- 33
mm
- 42
mm
- 48
mm

3

The stand may be galvanized or powder coated in each color



Version with montage foot for anchor with bolts to existing foundation

Version with posts longer to be concreted into the ground



1

Mounting options

- ▶ mounting plate

- ▶ inground mounting system

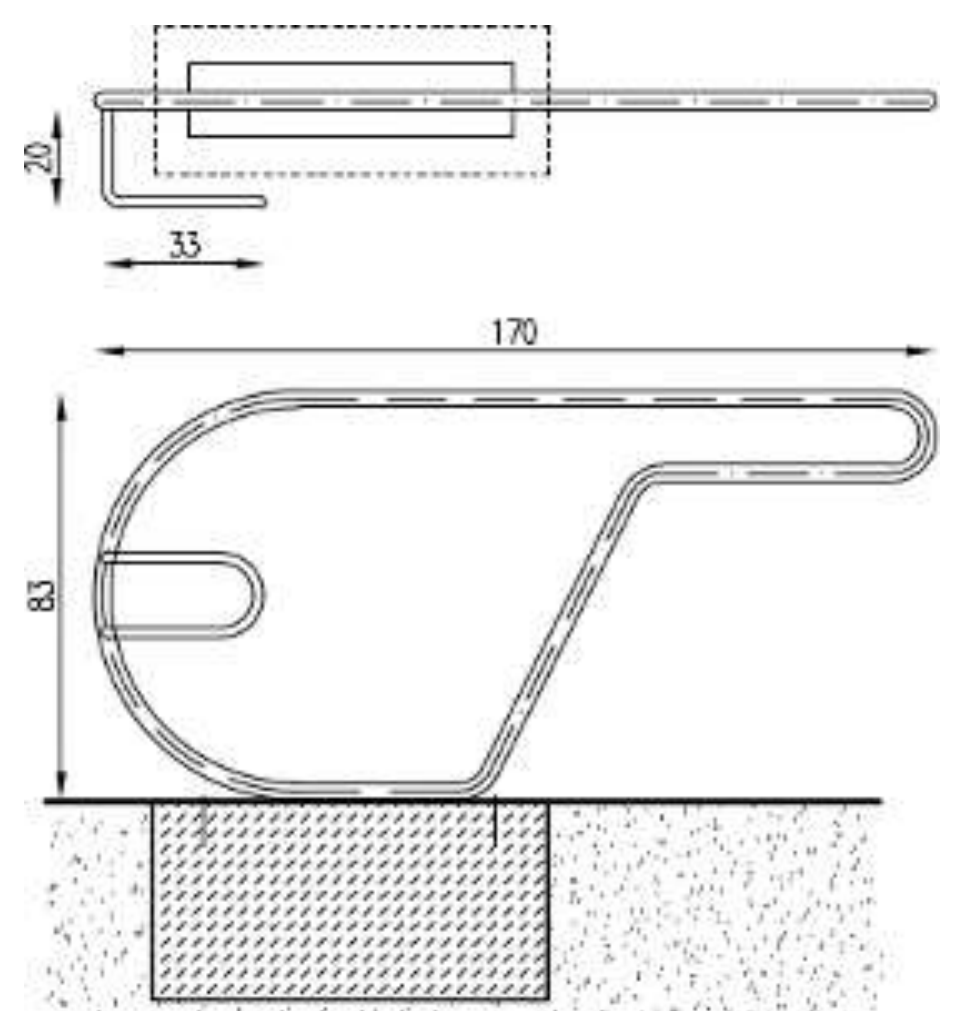
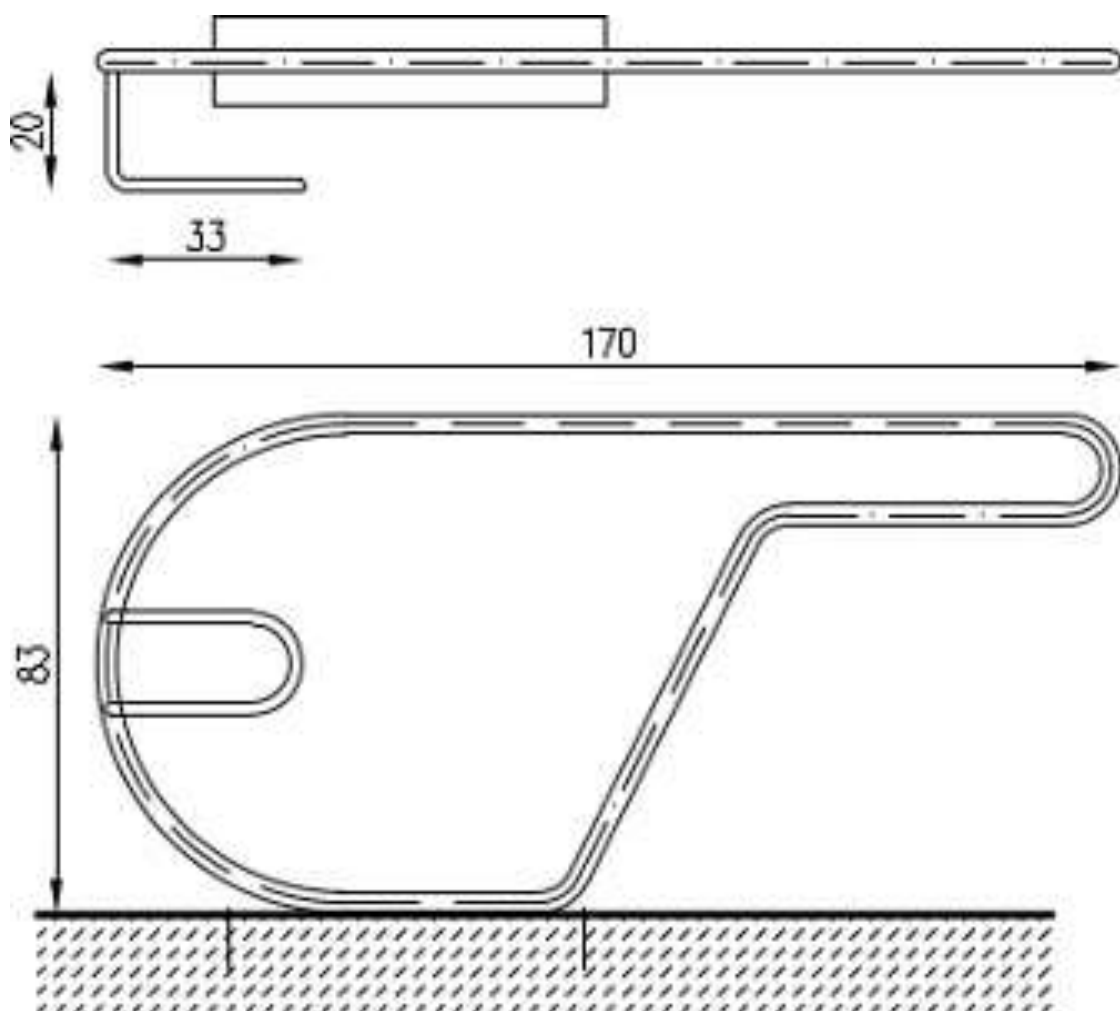
2

Bent steel pipe, diameter

- 33
mm
- 42
mm
- 48
mm

3

The stand may be galvanized or powder coated in each color



Version with montage foot for anchor with bolts to existing foundation

Version with posts longer to be concreted into the ground





1

Mounting options

- ▶ mounting plate
- ▶ inground mounting system

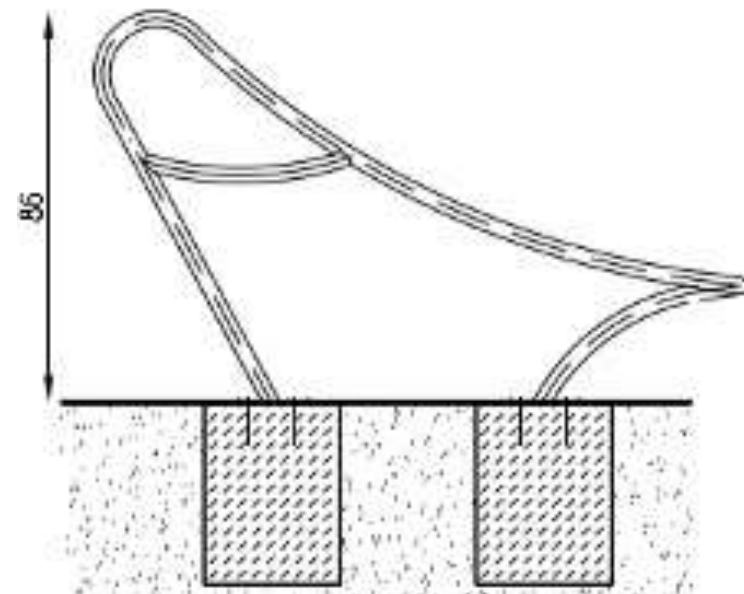
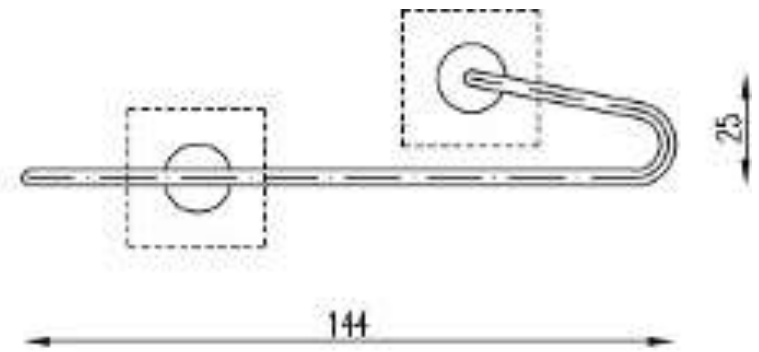
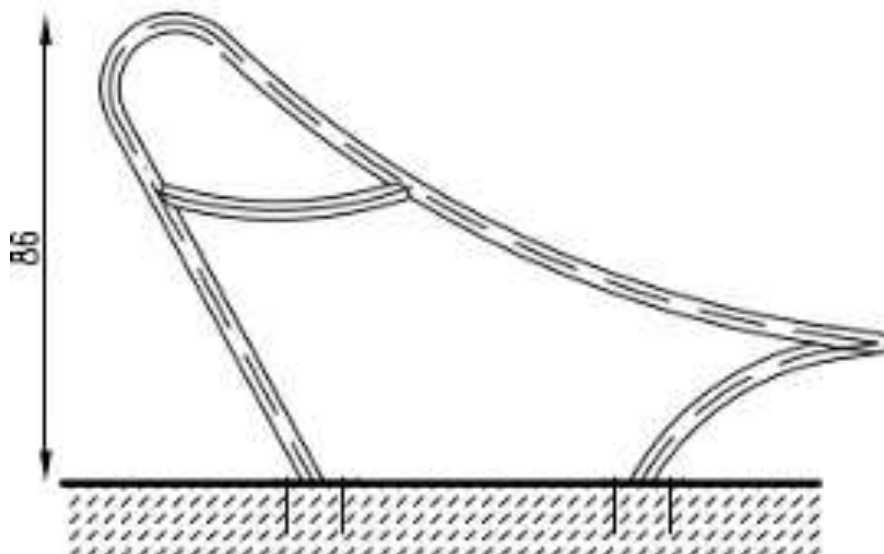
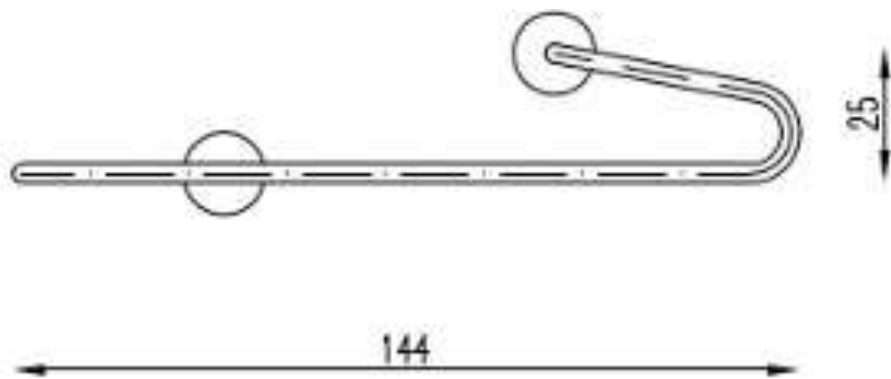
2

Bent steel pipe, diameter

- 33 mm
- 42 mm
- 48 mm

3

The stand may be galvanized or powder coated in each color



Version with montage foot for anchor with bolts to existing foundation

Version with posts longer to be concreted into the ground





1

Mounting options

- ▶ mounting plate

- ▶ inground mounting system

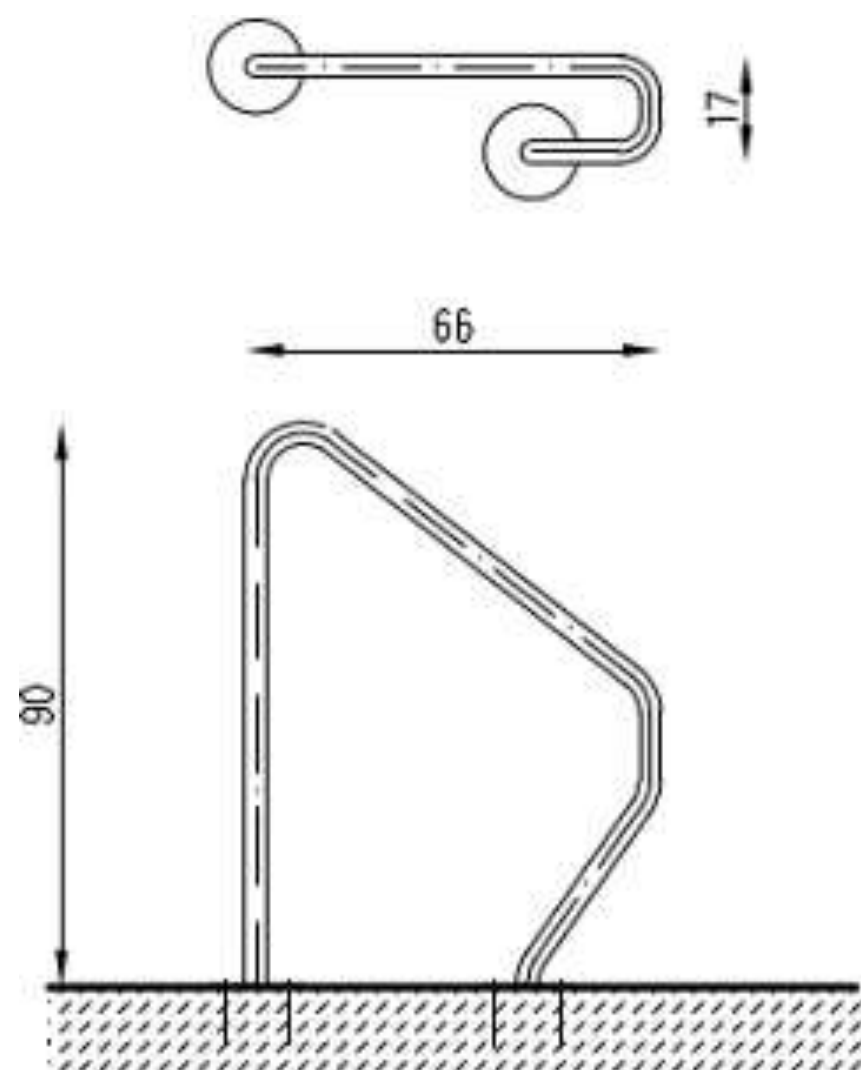
2

Bent steel pipe, diameter

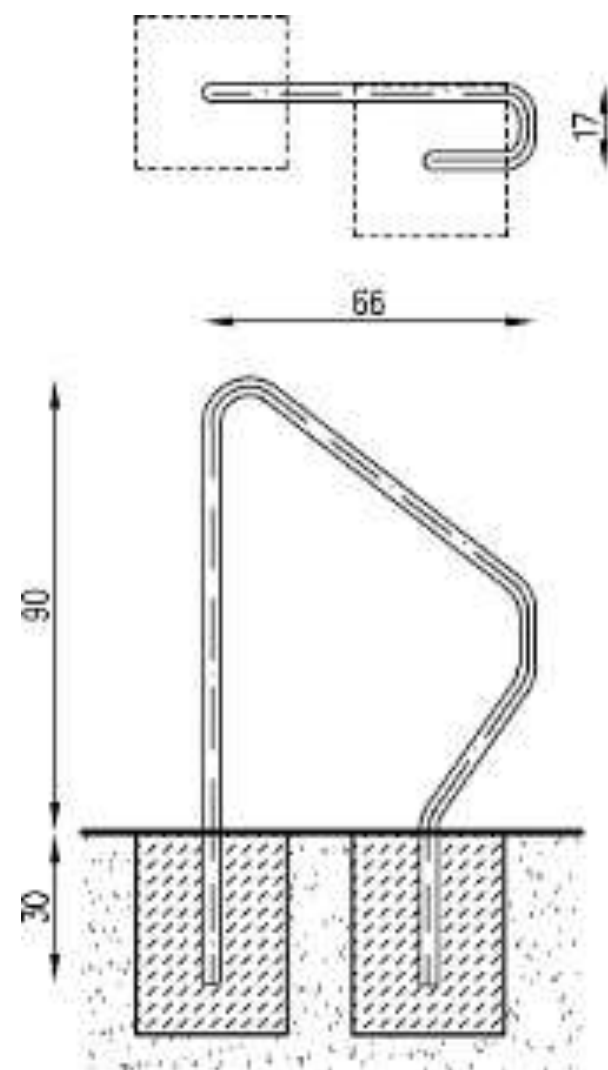
- 33
mm
- 42
mm
- 48
mm

3

The stand may be galvanized or powder coated in each color



Version with montage foot for anchor with bolts to existing foundation



Version with posts longer to be concreted into the ground



1

Mounting options

- ▶ mounting plate
- ▶ inground mounting system

2

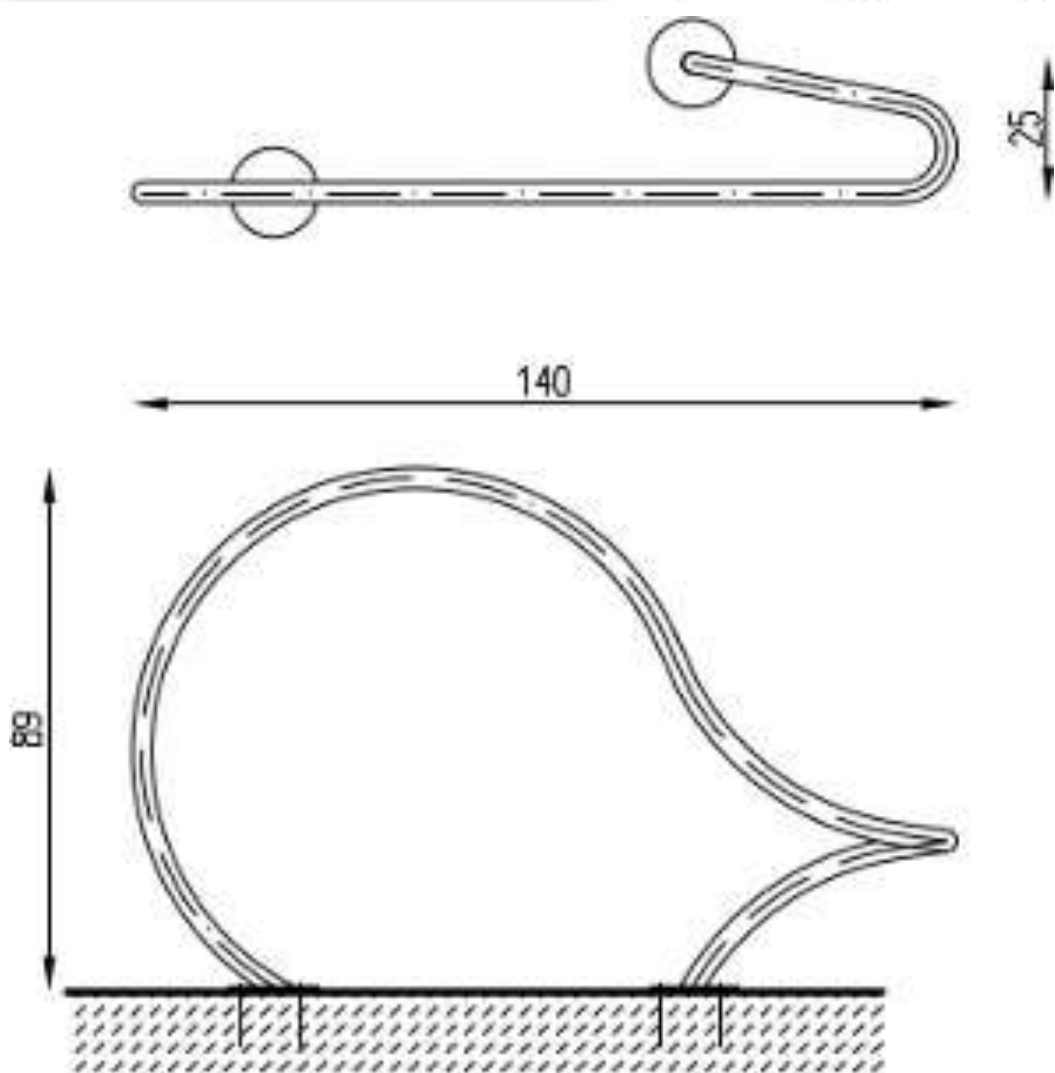
Bent steel pipe, diameter

- 33 mm
- 42 mm
- 48 mm

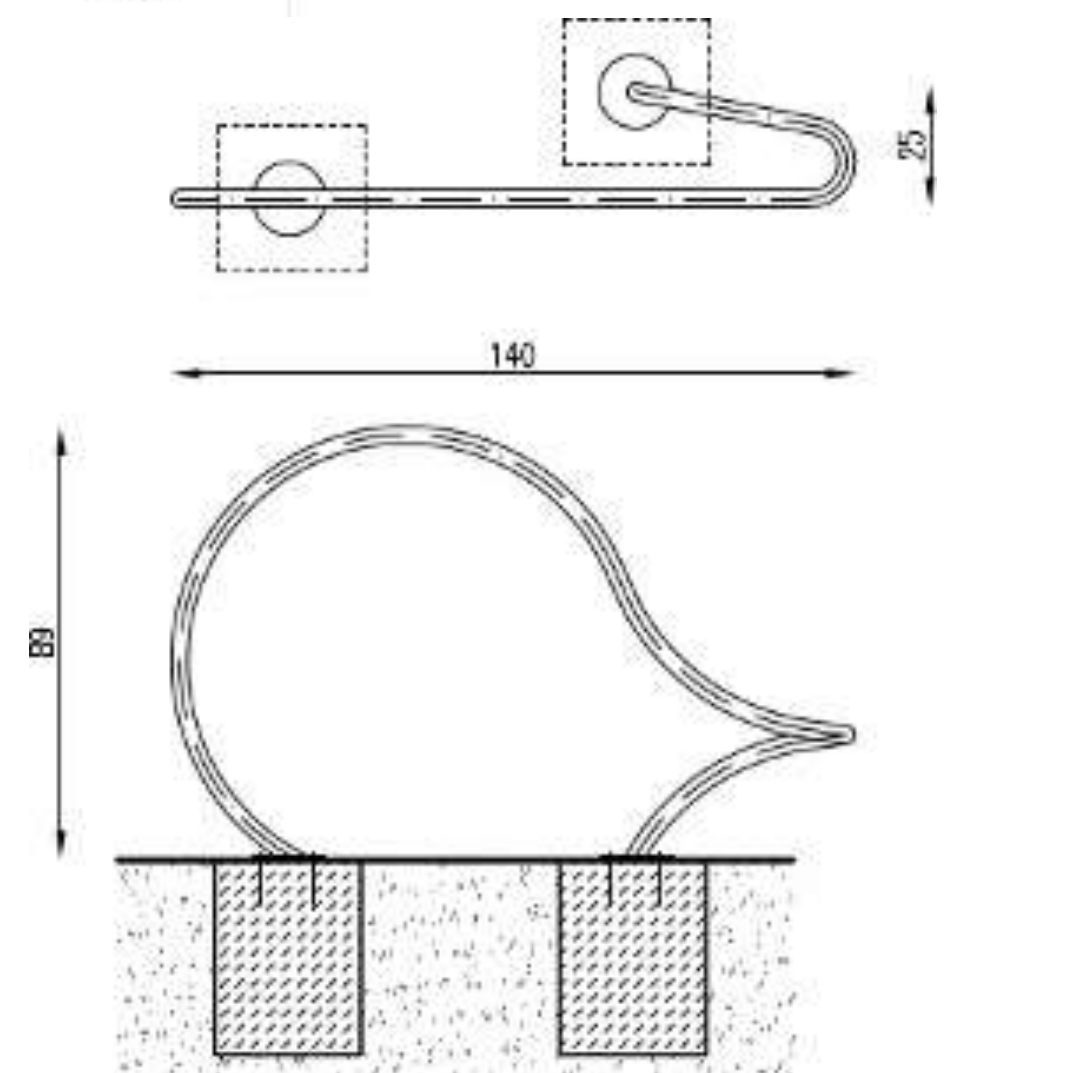
3

The stand may be galvanized or powder coated in each color

RAL



Version with montage foot for anchor with bolts to existing foundation



Version with posts longer to be concreted into the ground





1

Mounting options

- ▶ mounting plate
- ▶ inground mounting system

2

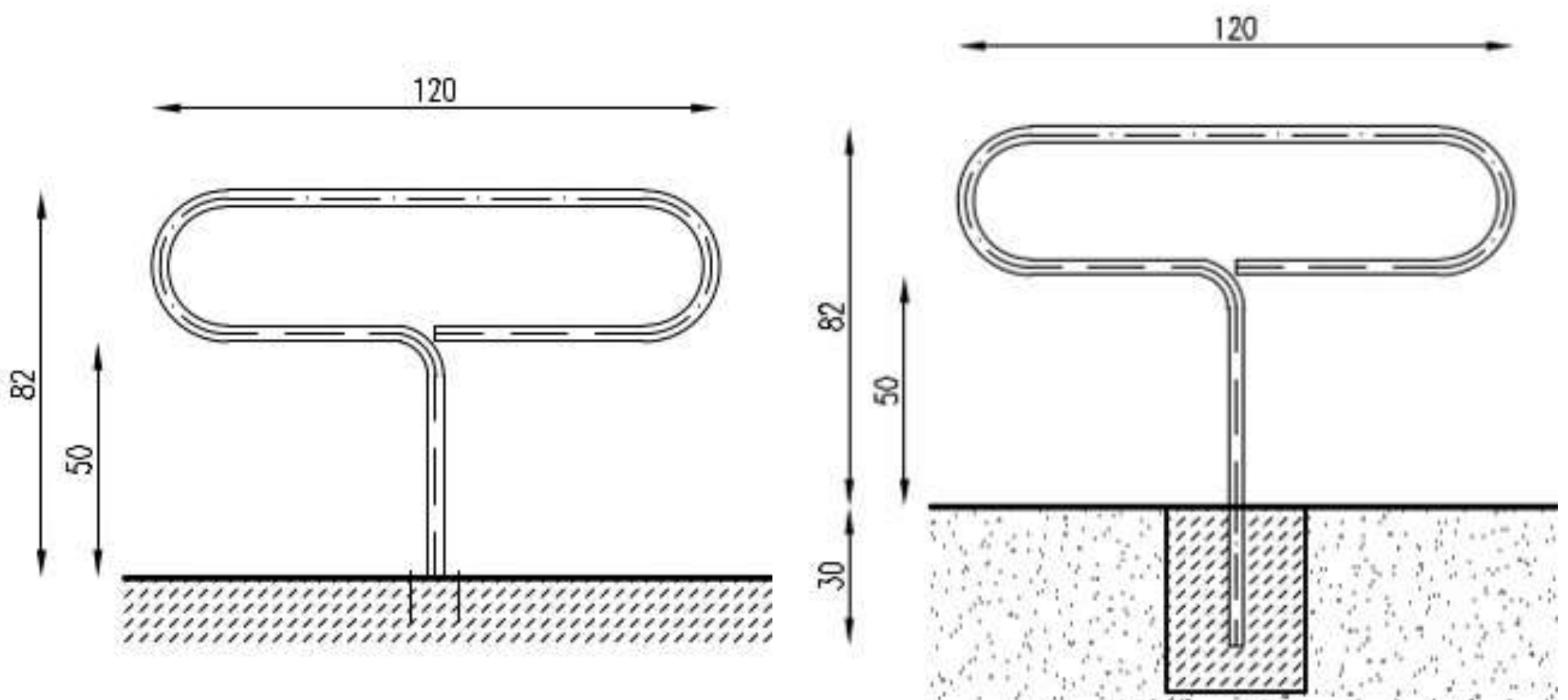
Bent steel pipe, diameter

- 33 mm
- 42 mm
- 48 mm

3

The stand may be galvanized or powder coated in each color

RAL



Version with montage foot for anchor with bolts to existing foundation

Version with posts longer to be concreted into the ground



1

Mounting options

- ▶ mounting plate
- ▶ inground mounting system

2

Bent steel pipe, diameter

33

mm

42

mm

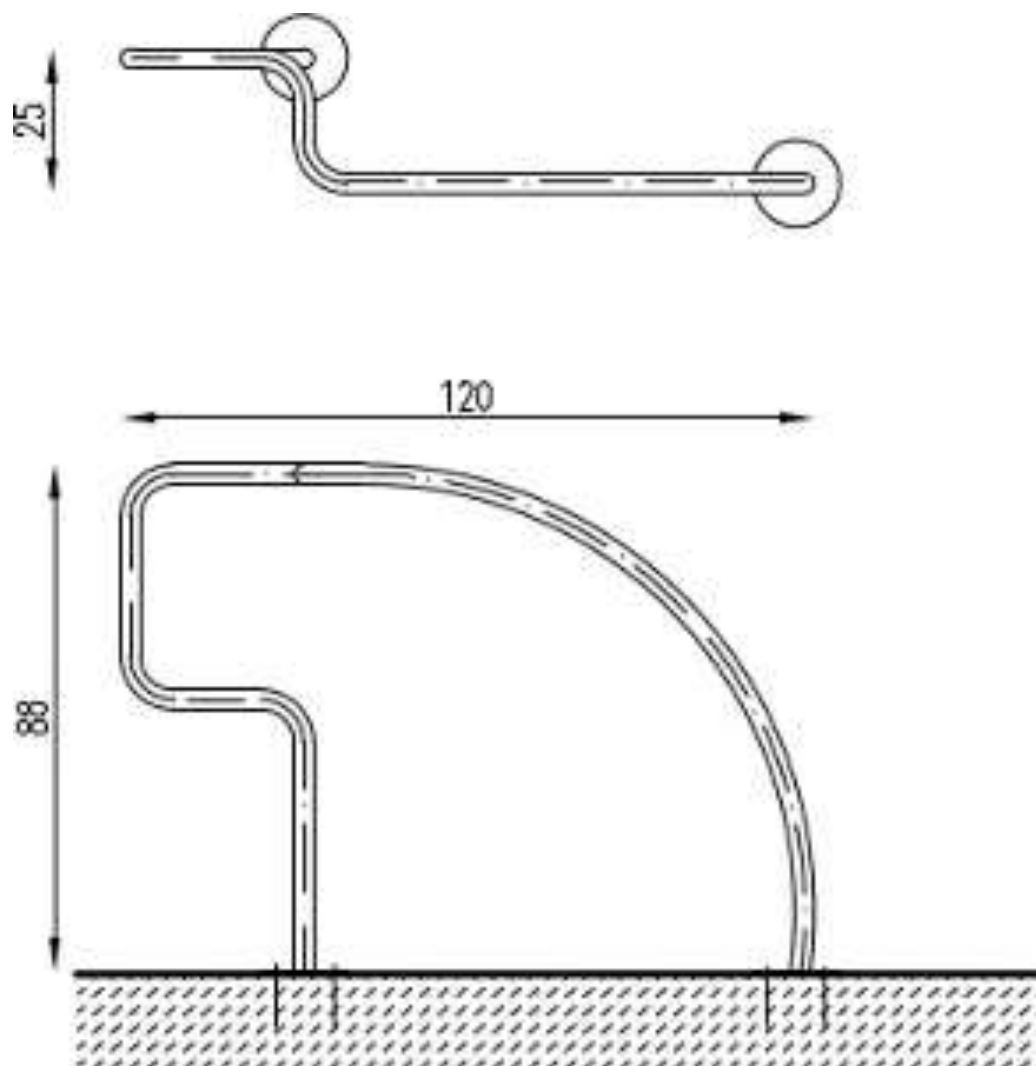
48

mm

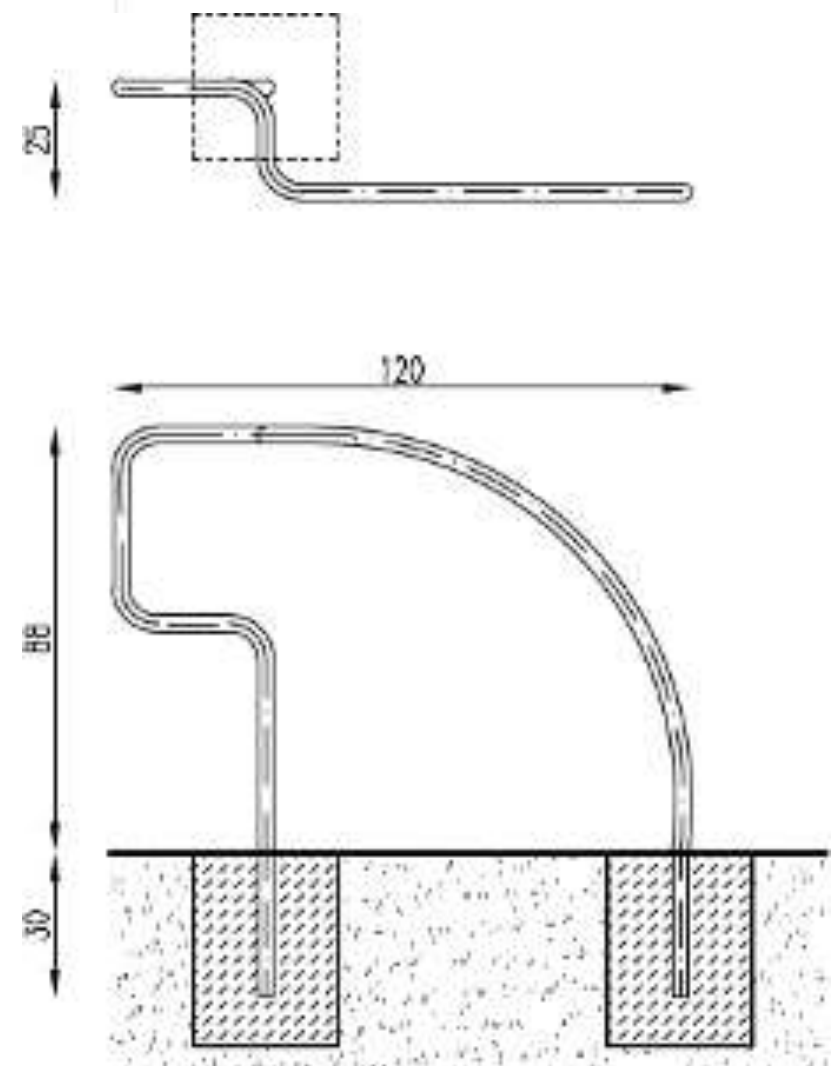
3

The stand may be galvanized or powder coated in each color

RAL



Version with montage foot for anchor with bolts to existing foundation



Version with posts longer to be concreted into the ground





1

Mounting options

- ▶ mounting plate
- ▶ inground mounting system

2

Bent steel pipe, diameter

33

mm

42

mm

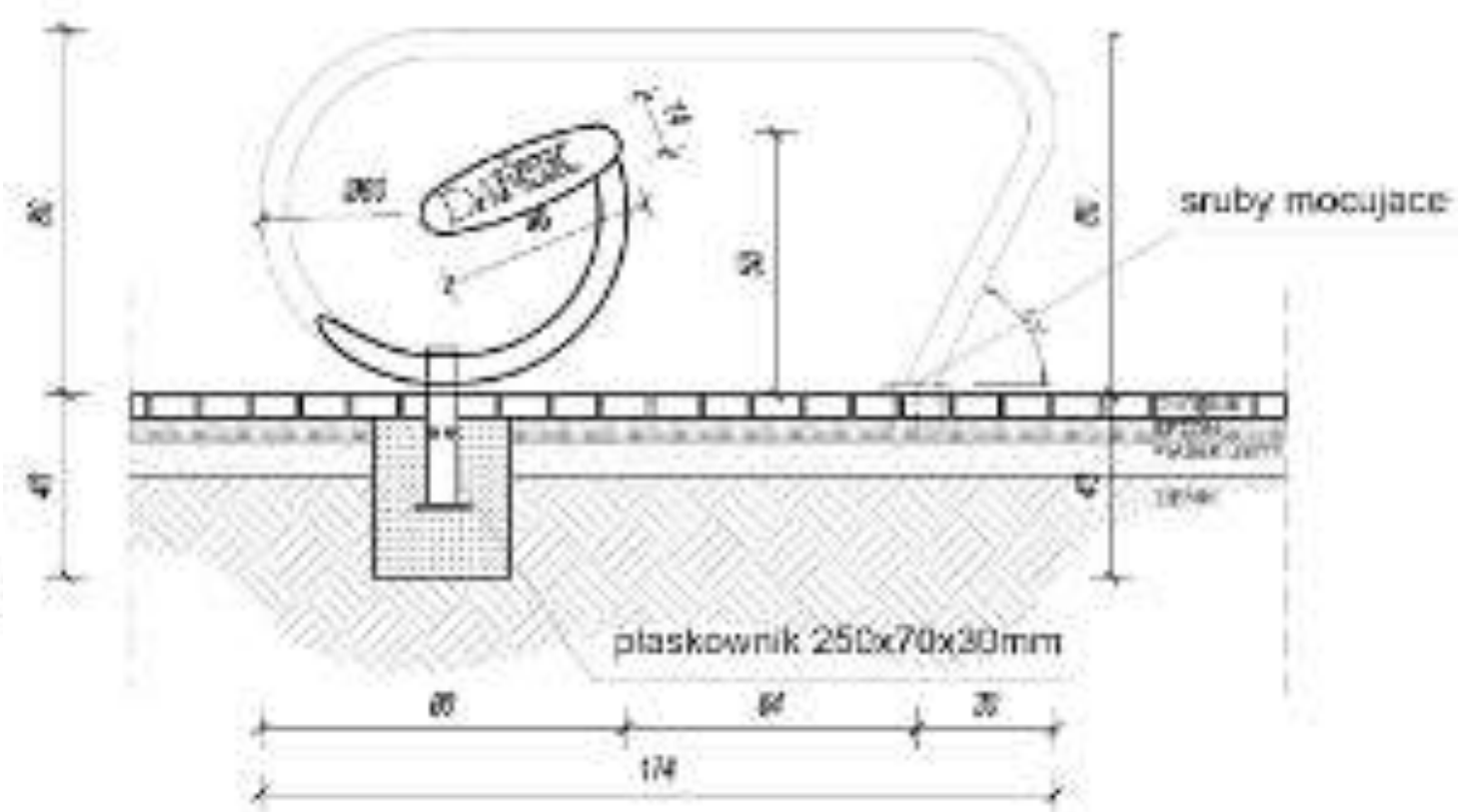
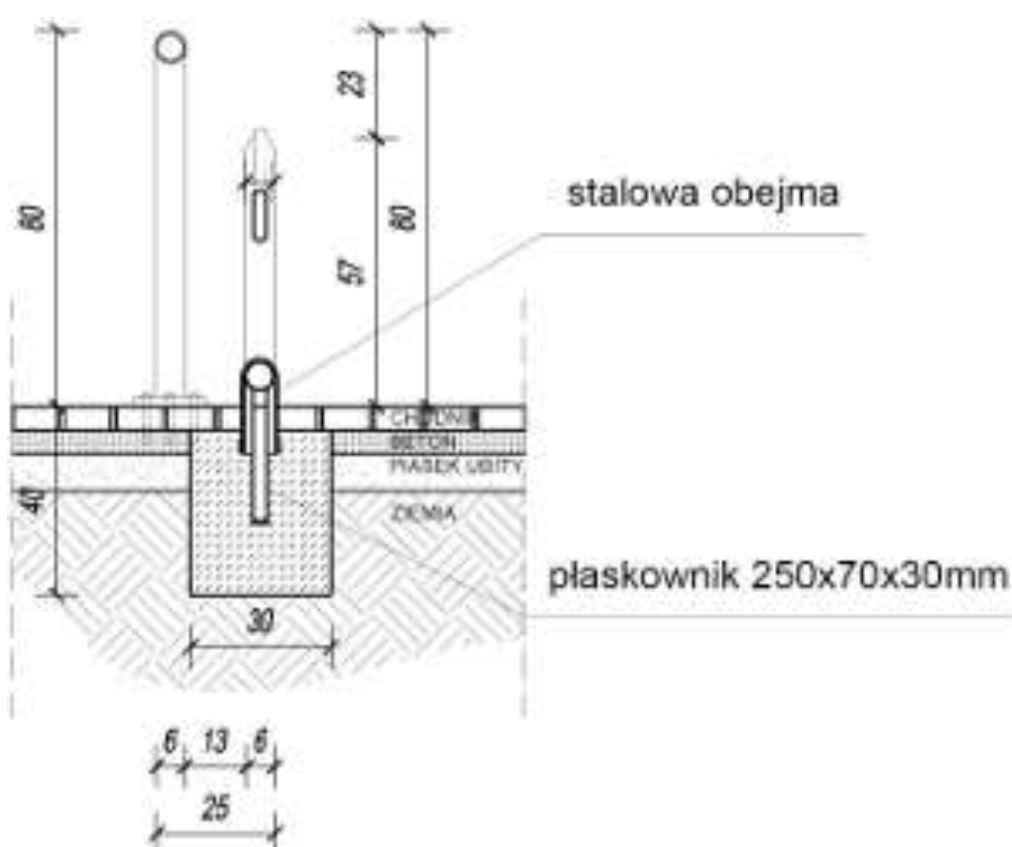
48

mm

3

The stand may be galvanized or powder coated in each color

RAL



Version with montage foot for anchor with bolts to existing foundation

Version with posts longer to be concreted into the ground



1

Mounting options

- ▶ mounting plate
- ▶ inground mounting system

2

Bent steel pipe, diameter

33

mm

42

mm

48

mm

3

The stand may be galvanized or powder coated in each color

RAL



Version with montage foot for anchor with bolts to existing foundation

Version with posts longer to be concreted into the ground



1

Mounting options

- ▶ mounting plate
- ▶ inground mounting system

2

Bent steel pipe, diameter

33

mm

42

mm

48

mm

3

The stand may be galvanized or powder coated in each color

RAL



Version with montage foot for anchor with bolts to existing foundation



Version with posts longer to be concreted into the ground

















SAWO

TRADITION MODERN



SHOWROOM AND OFFICE:

ul. Dabrowskiego 247/249, 93-231 Lodz, Poland

Tel.: +48 886-026-136

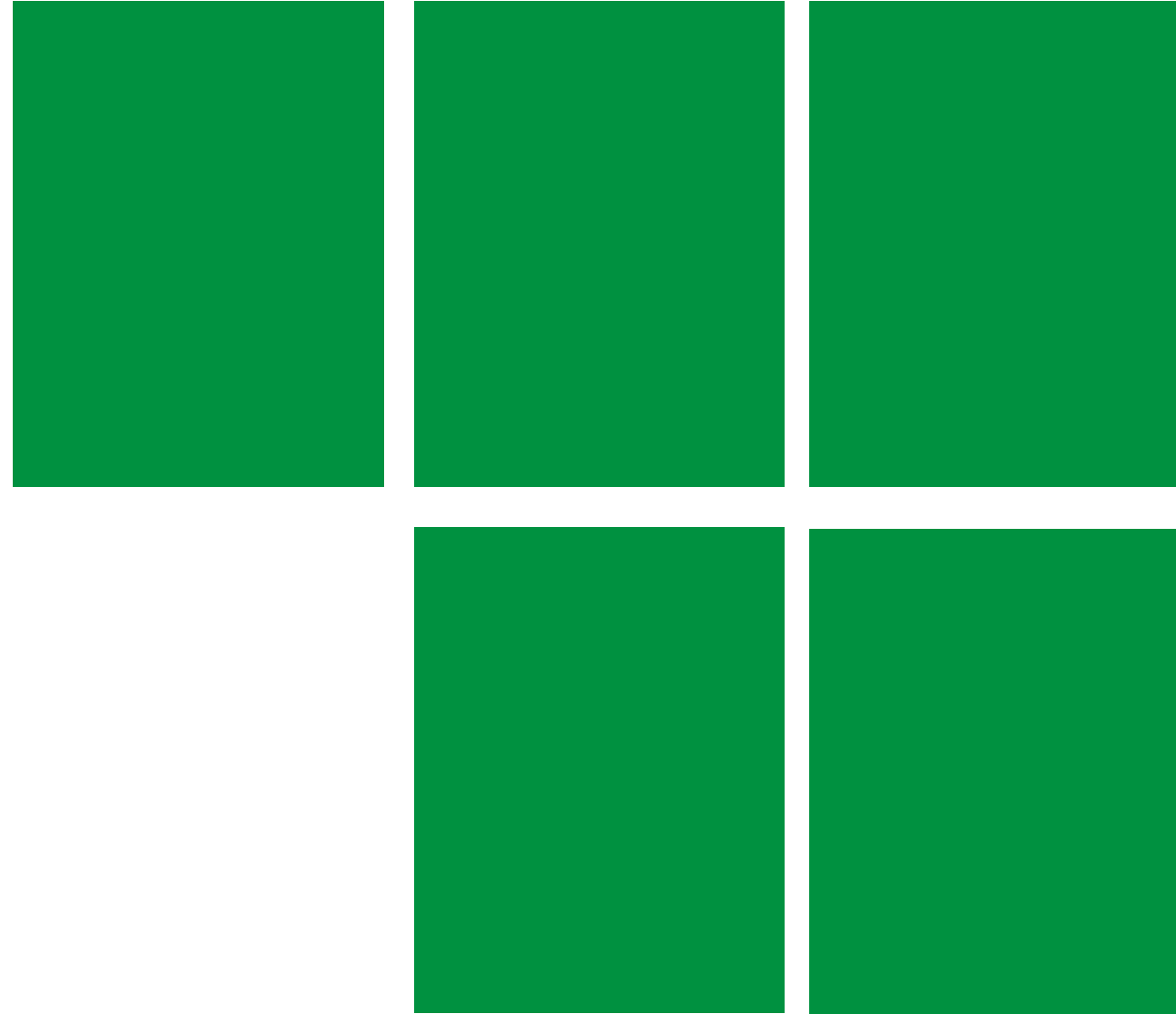
Tel.: +48 887-026-136

info@bike-systems.com

www.bike-systems.com

PRODUCTION PLANT:

ul.Brzezinska 57, 95-020 Bedon, Poland



www.bike-systems.com